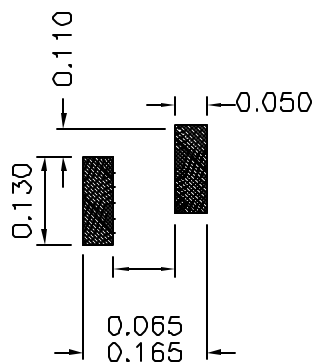
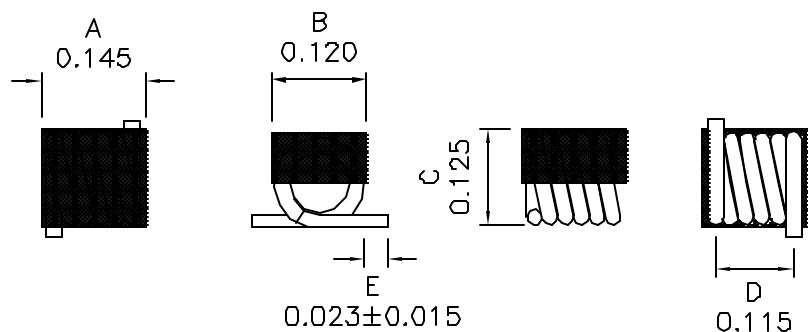
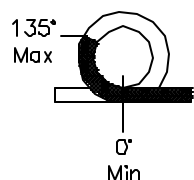


1. Mechanical Dimensions:



Suggested Pad Layout



Strip Length

2. Electrical Specifications:

OCL: 2.5nH±10%

Turns: 1

Q: 145 Min

Test Freq: 150MHz

SRF: 12.5GHz Min

DCR: 1.10 mOhms Max

Irms: 4.0A Max 15°C Temp rise

Notes:

1. Solderability: Leads shall meet MIL-STD-202G, Method 208H for solderability.
2. Flammability: UL94V-0
3. ASTM oxygen index: > 28%
4. Insulation System: Class F 155°C. UL file E151556
5. Operating Temperature Range: All listed parameters are to be within tolerance from -40°C to +125°C
6. Storage Temperature Range: -55°C to +125°C
7. Aqueous wash compatible
8. SMD Lead Coplanarity: ±0.004*(0.102mm)
9. Electrical and mechanical specifications 100% tested
10. RoHS Compliant Component

DOC REV: A/2

XFMRs Inc.	Title: Micro Spring Air Core Inductors		
	P/N: XFA01TK		REV. A
UNLESS OTHERWISE SPECIFIED TOLERANCES: .xxx ±0.010 Dimensions in INCH	DWN.	廖玉坤	Mar-07-06
	CHK.	李清儿	Mar-07-06
SHEET 1 OF 1	APP.	BW	Mar-07-06