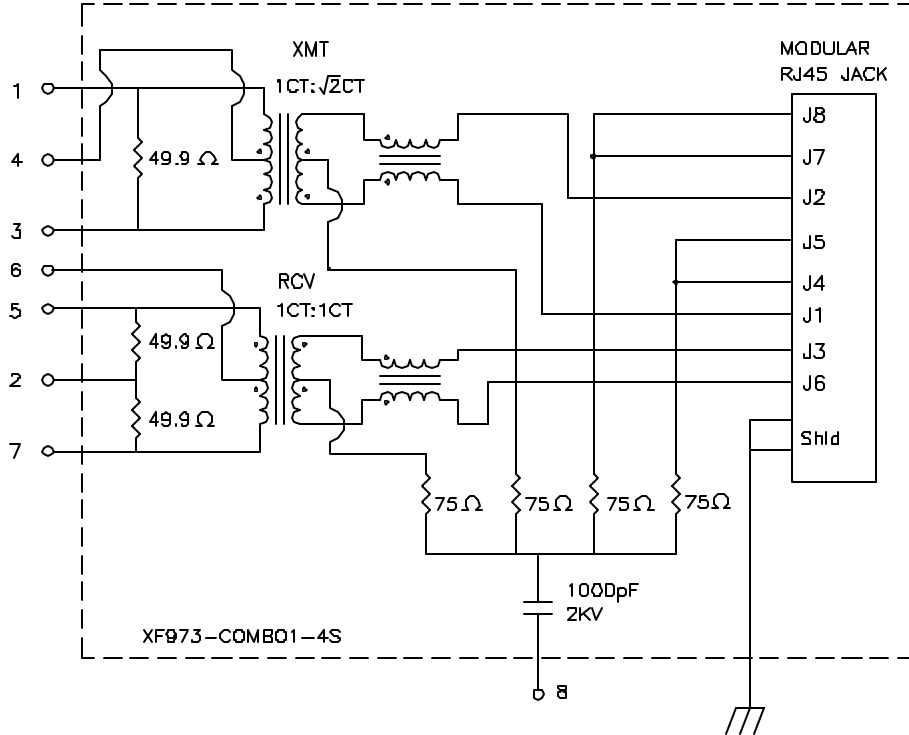


Schematic:



Electrical Specifications: @25°C

- ISOLATION: 1500 Vrms (Input to Output)
- ISOLATION: 500 Vrms (P1+4+3 - P5+6+2+7)
- TURN RATIO: 1CT:1CT±5% (RCV)
- TURN RATIO: 1CT:√2CT±5% (XMT)
- CABLE SIDE OCL: 350uH Minimum @100KHz 100mV 8mADC
- Cw/w: 27pF Typical @100KHz 100mV
- RX RETURN LOSS: @30MHz -20dB Typ
- @80MHz -15dB Typ

Notes:

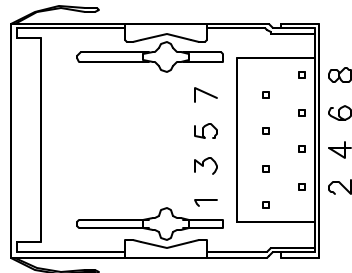
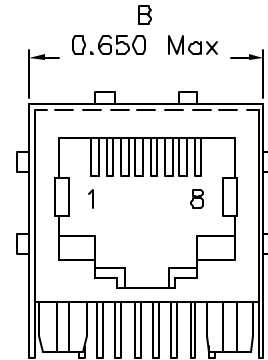
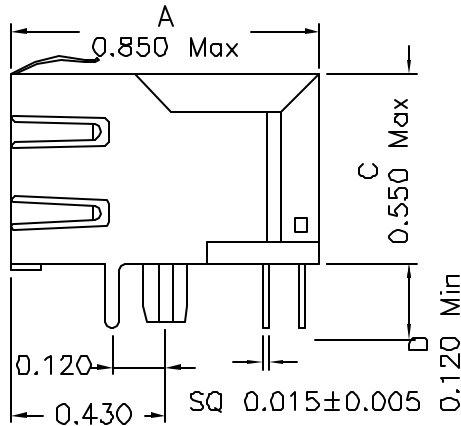
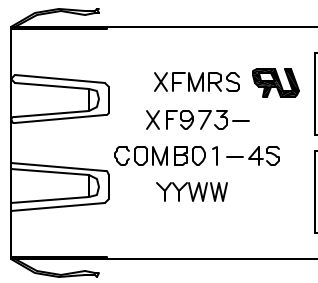
1. Solderability: Leads shall meet MIL-STD-202C, Method 208H for solderability.
2. Flammability: UL94V-0
3. ASTM oxygen index: > 28%
4. Insulation System: Class F 155°C. UL file E151556
5. Operating Temperature Range: All listed parameters are to be within tolerance from -40°C to +85°C
6. Storage Temperature Range: -55°C to +125°C
7. Aqueous wash compatible
8. Electrical and mechanical specifications 100% tested
9. RoHS Compliant Component

DOC REV: A/9

XFMRs Inc. www.XFMRs.com	Title: SINGLE PORT COMBO		
	UNLESS OTHERWISE SPECIFIED TOLERANCES: .xxx ±0.010 Dimensions in Inch		P/N: XF973-COMBO1-4S
DWN.	罗振江	Apr-24-07	
CHK.	廖玉坤	Apr-24-07	
APP.	MS	Apr-24-07	
SHEET 1 OF 2			

PROPRIETARY
 Document is the property of XFMRs Group & is not allowed to be duplicated without authorization.

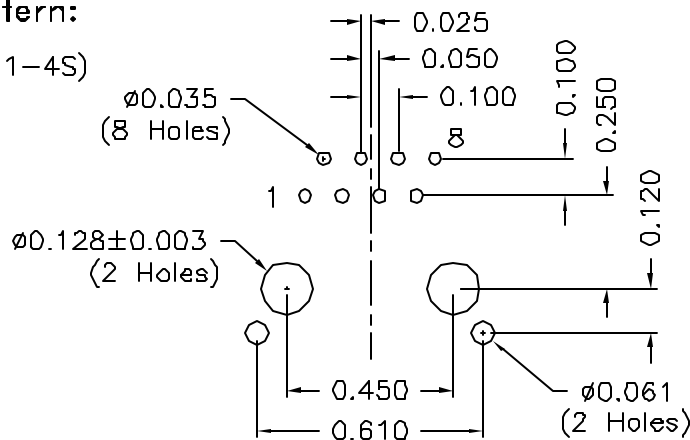
Mechanical Dimensions:



(BOTTOM VIEW)

Mounting Pattern:

(FOR COMBO1-4S)
(COMP SIDE)



DOC REV: A/9

PROPRIETARY

Document is the property of XFMRS Group & is not allowed to be duplicated without authorization.

XFMRS Inc. www.XFMRS.com		Title: Mechanical Dimensions For COMBO1-4S Series	
UNLESS OTHERWISE SPECIFIED TOLERANCES: .xxx ±0.010 Dimensions in Inch		P/N: XF973-COMBO1-4S	REV. A
DWN.	罗振江	Apr-24-07	
CHK.	廖玉坤	Apr-24-07	
SHEET 2 OF 2	APP.	MS	Apr-24-07