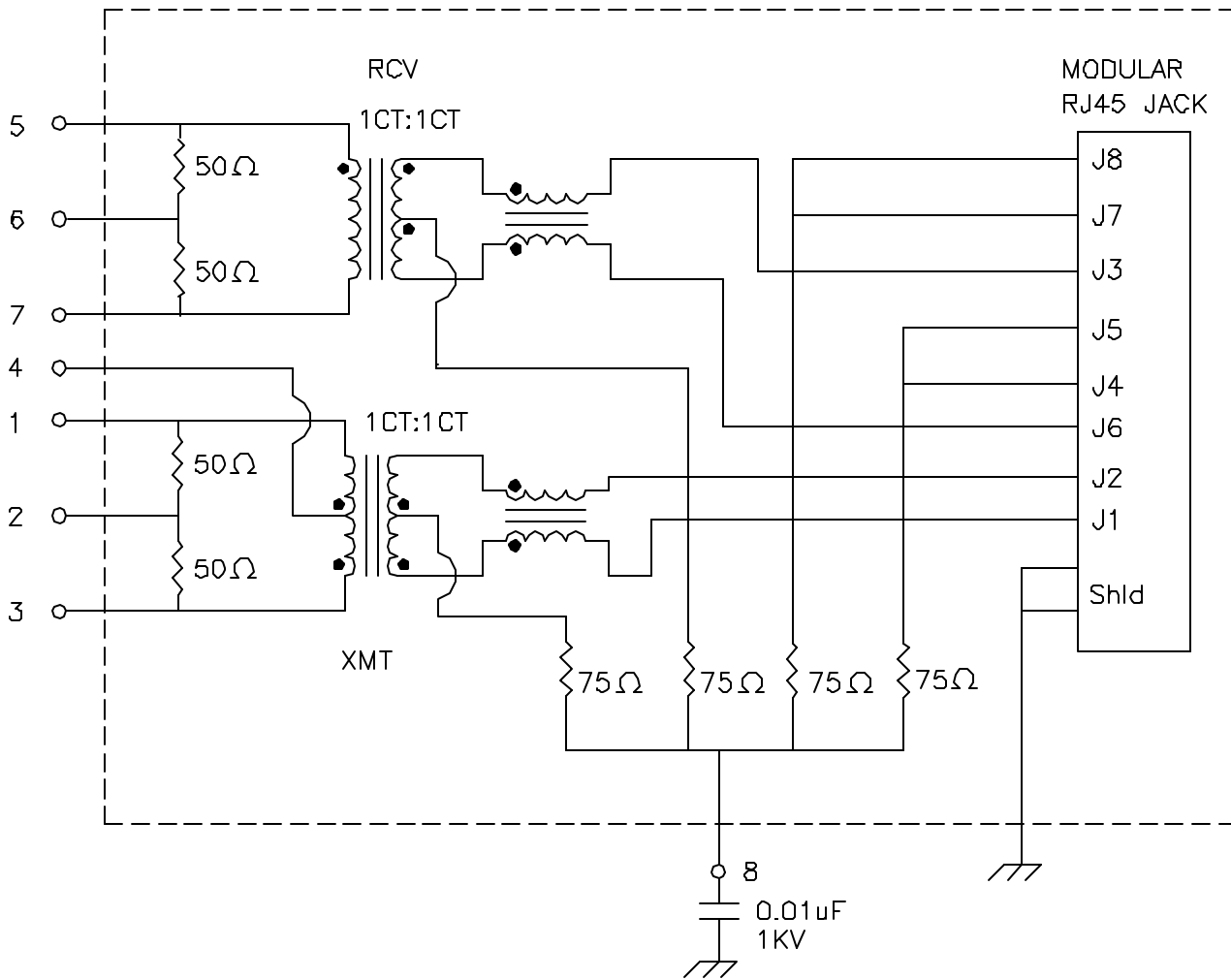


Schematic:



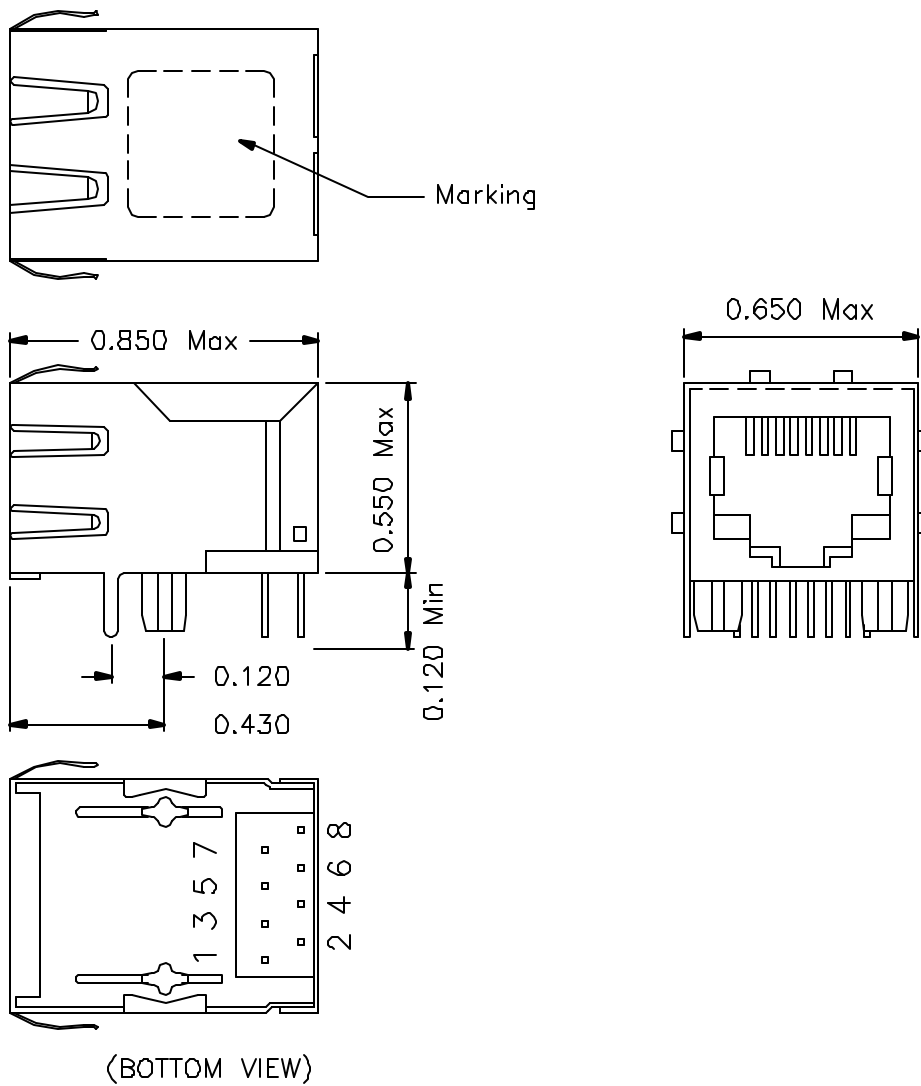
Electrical Specifications: @25°C

HIPOT: 1500 Vrms (INPUT/OUTPUT)
 HIPOT: 500 Vrms (P5+6+7 to P1+2+3+4))
 Turns Ratio: 1CT : 1CT ±3% (RCV)
 Turns Ratio: 1CT : 1CT ±3% (XMT)
 CABLE SIDE DCL: 350uH Minimum @100KHz 100mV 8mADC
 Cw/w: 27pF Typical @100KHz 100mV

DOC. REV A/1

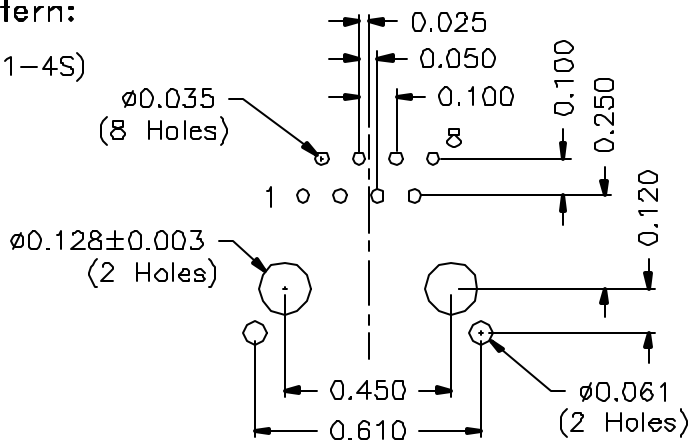
XFMRs Inc. UNLESS OTHERWISE SPECIFIED TOLERANCES: .xxx ±0.010 Dimensions in Inch SHEET 1 OF 2	Title: SINGLE PORT COMBO		
	P/N: XF970A1-COMBO1-4S		REV. A
	DWN.	李清儿	Mar-30-00
	CHK.	孙小松	Mar-30-00
	APP.	Joe Huff	Mar-30-00

Mechanical Dimensions:



Mounting Pattern:

(FOR COMBO1-4S)
(COMP SIDE)



DOC. REV A/1

XFMRs Inc.	Title: Mechanical Dimensions For COMBO1-4S Series		
UNLESS OTHERWISE SPECIFIED TOLERANCES: .xxx ± 0.010 Dimensions in Inch	P/N: XF970A1-COMBO1-4S	REV. A	
	DWN.	李清儿	Mar-30-00
SHEET 2 OF 2	CHK.	孙小松	Mar-30-00
	APP.	Joe Huff	Mar-30-00