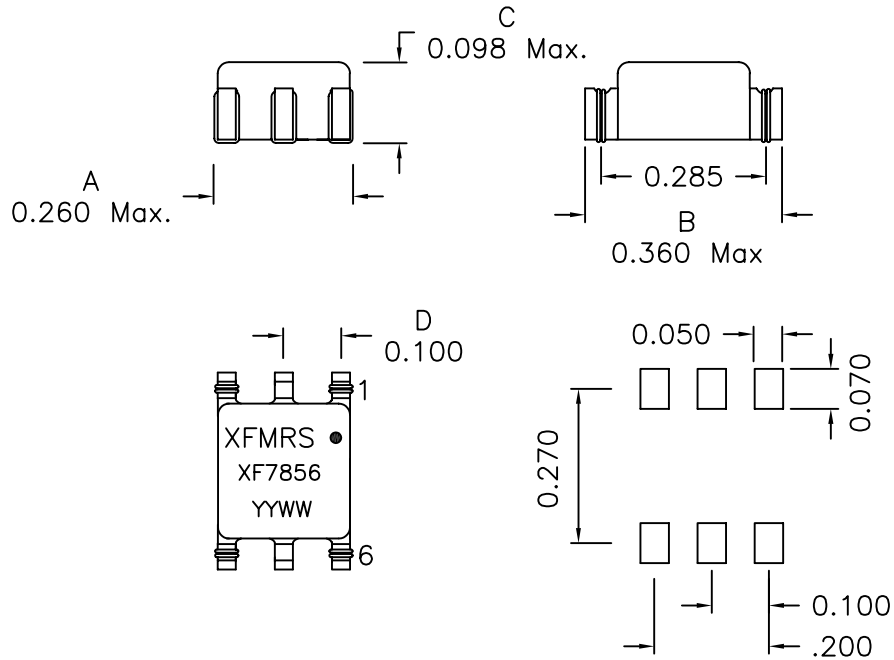


## 1. Mechanical Dimensions:



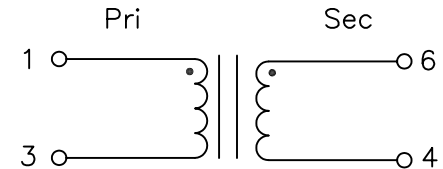
SUGGESTED PAD LAYOUT

### Notes:

1. Solderability: Leads shall meet MIL-STD-202G, Method 208H for solderability.
2. Flammability: UL94V-0
3. ASTM oxygen index: > 28%
4. Insulation System: Class F 155°C. UL file E151556
5. Operating Temperature Range: All listed parameters are to be within tolerance from -40°C to +85°C
6. Storage Temperature Range: -55°C to +125°C
7. Aqueous wash compatible
8. SMD Lead Coplanarity:  $\pm 0.004''$  (0.102mm)
9. Moisture Sensitivity: Level 3
10. Electrical and mechanical specifications 100% tested
11. RoHS Compliant Component

DOC REV A/6

## 2. Schematic:



## 3. Electrical Specifications:

OCL: Pins 1-3 785uH Min @10KHz 0.1V

Q: Pins 1-3 8 Min @10KHz 50mV

Leakage Inductance: 1-3, 0.500uH Max  
@100KHz 0.1V (Tie 6-4)

DCR: Pins 1-3 0.520 Ohms Max

DCR: Pins 6-4 0.520 Ohms Max

Turn Ratio: Pins(1-3):(6-4) = 1.00:1.00

Volts-Seconds: 9.7V\*uSec Max

Isolation Voltage: 1500Vac, Wdg to Wdg

<b>XFMR8 Inc</b> <a href="http://www.XFMR8.com">www.XFMR8.com</a>	Title: Gate Drive Transformer		
	UNLESS OTHERWISE SPECIFIED TOLERANCES: .xxx $\pm 0.010$ Dimensions in INCH	P/N: XF7856-GD11	REV. A
SHEET 1 OF 1	DWN.	Xian yi	Jun-12-09
	CHK.	YK Liao	Jun-12-09
	APP.	BW	Jun-12-09

**PROPRIETARY**

Document is the property of XFMR8 Group & is not allowed to be duplicated without authorization.