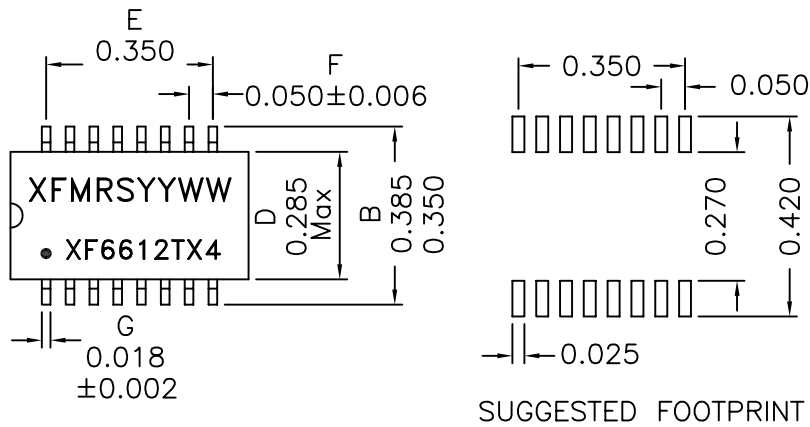
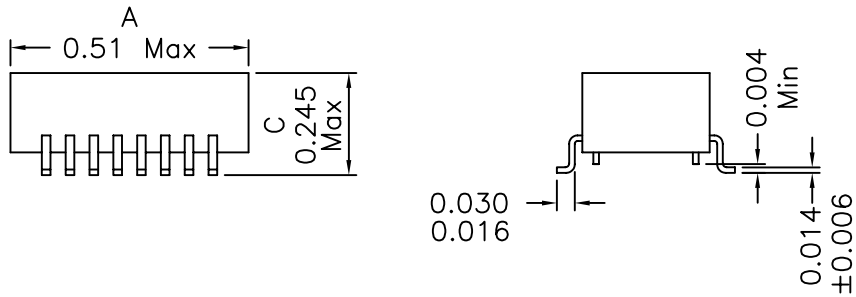


1. Dimensions:



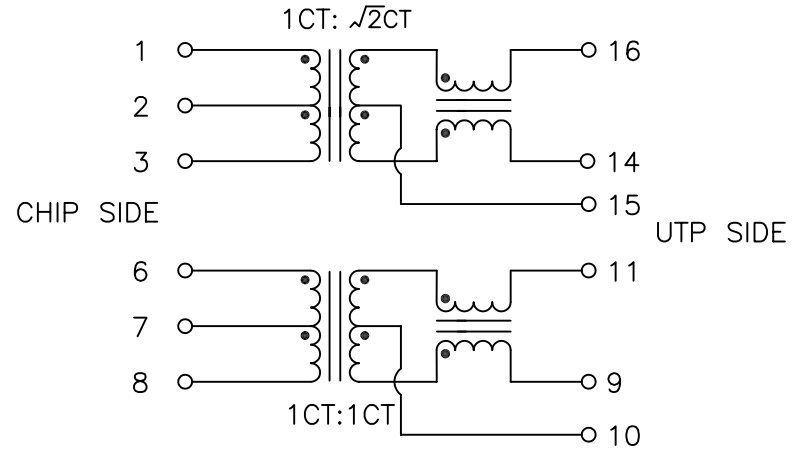
2. Schematic:

Notes:

- Solderability: Leads shall meet MIL-STD-202G, Method 208H for solderability.
- Flammability: UL94V-0
- ASTM oxygen index: > 28%
- Insulation System: Class F 155°C. UL file E151556
- Operating Temperature Range: All listed parameters are to be within tolerance from -40°C to +85°C
- Storage Temperature Range: -55°C to +125°C
- Aqueous wash compatible
- SMD Lead Coplanarity: ±0.004"(0.102mm)
- Electrical and mechanical specifications 100% tested
- RoHS Compliant Component

DOC. REV: A/2

2. Schematic:



3. Electrical Specifications: @25°C

- UTP Impedance: 100 OHMS
- Turns Ratio: TX : 1CT:1.41CT (±2%) RX : 1CT:1CT (±2%)
- Isolation Voltage: 1500 Vrms (Input to Output)
- UTP Side OCL: 350uH Minimum @100KHz, 100mV 8mADC
- Leakage L: 0.4uH Max 100KHz, 0.1V
- Rise Time (10-90%): 2.0ns Typical
- Insertion Loss (1M-100MHz): 1.0dB Maximum
- Return Loss(5-100MHz): 12dB Minimum
- CMRR (1-100MHz): -40dB Typical
- Crosstalk Attenuation: -40dB Minimum
- Pri DCR: 0.9 Ohms Max

XFMR5 INC www.XFMR5.com		Title: 10/100 BASE MAGNETIC MODULE	
UNLESS OTHERWISE SPECIFIED		P/N: XF6612TX4	REV. A
TOLERANCES: .xxx ±0.010		DWN. 李清儿	Mar-29-10
Dimensions in Inch		CHK. 孙悦	Mar-29-10
SHEET 1 OF 1		APP. BW	Mar-29-10