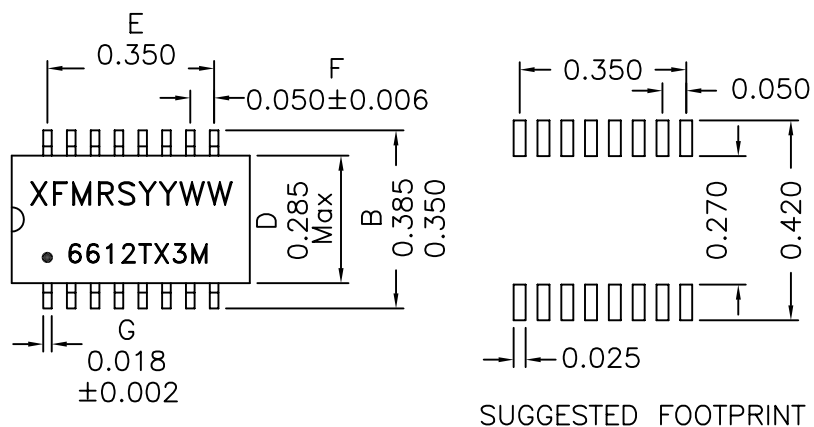
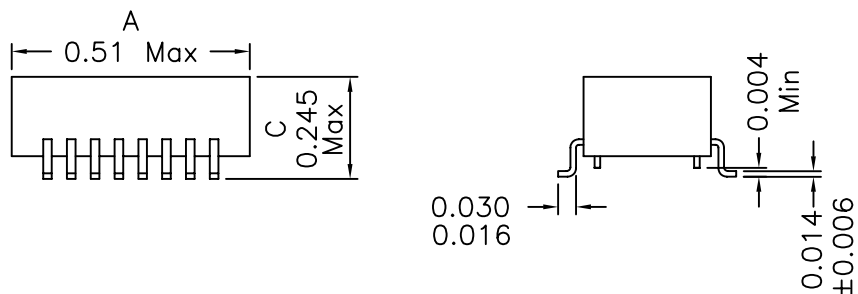


1. Mechanical Dimensions:

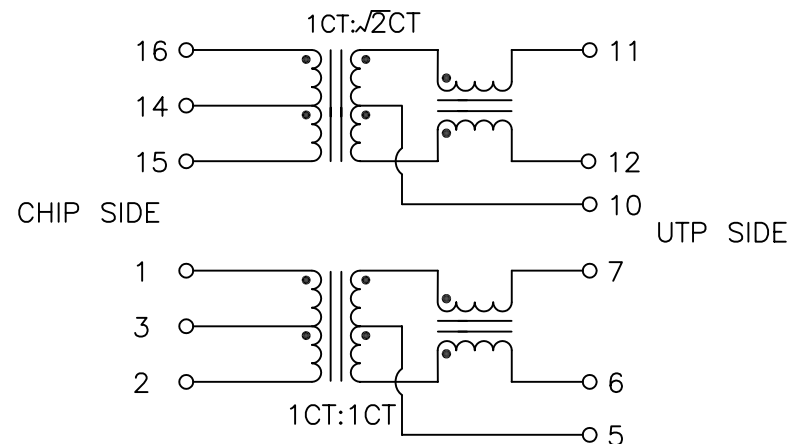


Notes:

1. Solderability: Leads shall meet MIL-STD-202G, Method 208H for solderability.
2. Flammability: UL94V-0
3. ASTM oxygen index: > 28%
4. Insulation System: Class F 155°C. UL file E151556
5. Operating Temperature Range: All listed parameters are to be within tolerance from -40°C to +85°C
6. Storage Temperature Range: -55°C to +125°C
7. Aqueous wash compatible
8. SMD Lead Coplanarity: ±0.004"(0.102mm)
9. Electrical and mechanical specifications 100% tested
10. RoHS Compliant Component

DOC REV: C/5

2. Schematic:



3. Electrical Specifications: @25°C

- UTP Impedance: 100 OHMS
- Turns Ratio: TX : 1CT:1.4CT (±2%) RX : 1CT:1CT (±2%)
- Isolation Voltage: 1500 Vrms (Input to Output)
- UTP Side OCL: 350uH Minimum @100KHz, 100mV 8mADC
- Rise Time (10-90%): 2.0ns Typical
- Insertion Loss (1M-100MHz): 1.0dB Maximum
- Return Loss(5-100MHz): 12dB Minimum
- CMRR (1-100MHz): 40dB Typical
- Crosstalk Attenuation: 30dB Minimum

XFMRS INC www.XFMRS.com		Title: 10/100 BASE MAGNETIC MODULE		
UNLESS OTHERWISE SPECIFIED TOLERANCES: .xxx ±0.010 Dimensions in Inch		P/N: XF6612TX3M		REV. C
		DWN.	Xian yi	Dec-28-09
SHEET 1 OF 1		CHK.	YK Liao	Dec-28-09
		APP.	BW	Dec-28-09

PROPRIETARY

Document is the property of XFMRS Group & is not allowed to be duplicated without authorization.