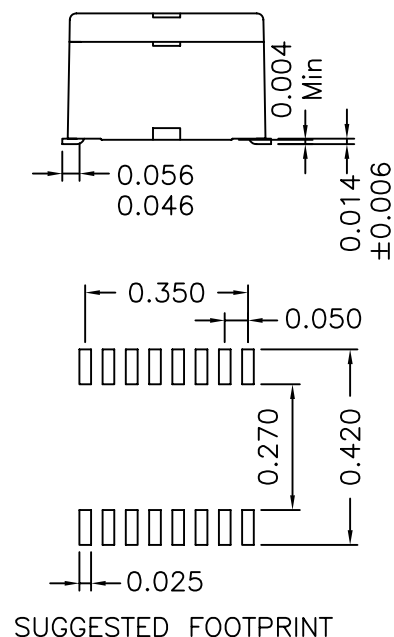
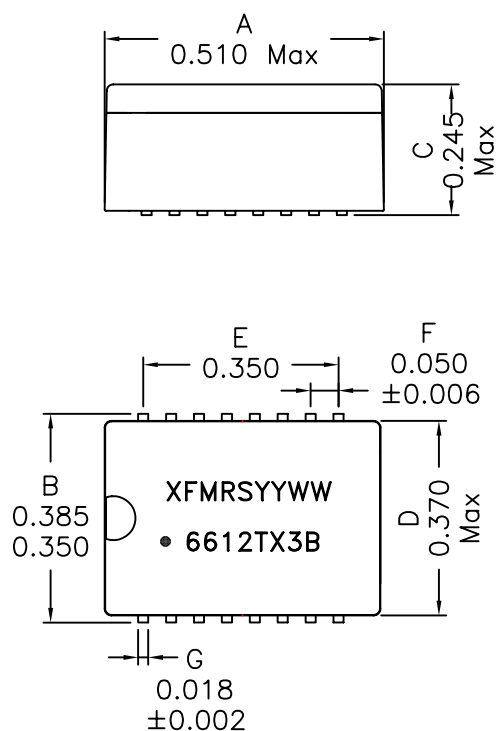
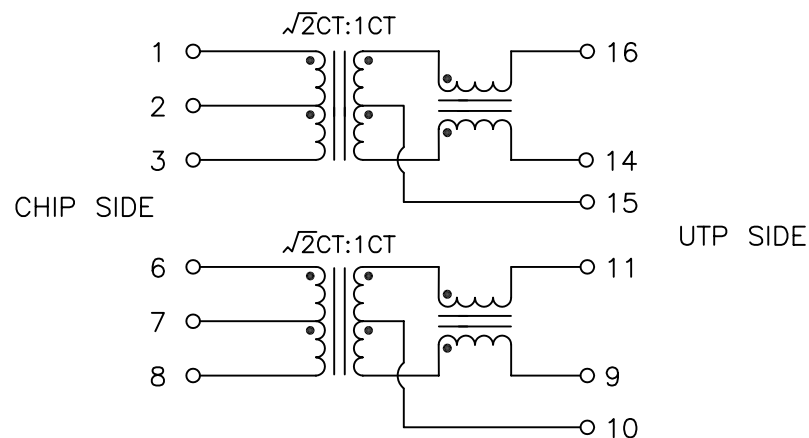


1. Mechanical Dimensions:



2. Schematic:



3. Electrical Specifications: @25°C

Turns Ratio: TX 1.41CT:1CT (±2%) RX 1.41CT:1CT (±2%)

Isolation Voltage: 1500 Vrms (Input to Output)

UTP Side OCL: 350uH Min @100KHz,100mV 8mADC

UTP Side Q: 8 Min @100KHz,100mV

Insertion Loss (0.3–100MHz): 1.0dB Maximum

Return Loss (dB Typ):	30MHz	60MHz	80MHz
	-16	-12	-10

Crosstalk (dB Min):	32MHz	62MHz	100MHz
	-40	-35	-35

Notes:

- Solderability: Leads shall meet MIL-STD-202G, Method 208H for solderability.
- Flammability: UL94V-0
- ASTM oxygen index: > 28%
- Insulation System: Class F 155°C. UL file E151556
- Operating Temperature Range: All listed parameters are to be within tolerance from -40°C to +85°C
- Storage Temperature Range: -55°C to +125°C
- Aqueous wash compatible
- SMD Lead Coplanarity: ±0.004"(0.102mm)
- Electrical and mechanical specifications 100% tested
- RoHS Compliant Component

DOC. REV: B/1

XFMRS Inc.		Title:	
www.XFMRS.com		10/100BASE-TX MAGNETICS	
UNLESS OTHERWISE SPECIFIED		P/N: XF6612TX3B	REV. B
TOLERANCES:		DWN.	Mei Chen
.xxx ±0.010		CHK.	YK Liao
Dimensions in Inch		APP.	BW
SHEET 1 OF 1			Aug-31-11

PROPRIETARY

Document is the property of XFMR Group & is not allowed to be duplicated without authorization.