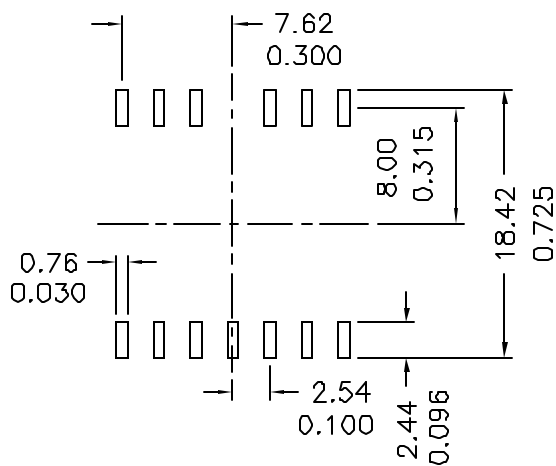
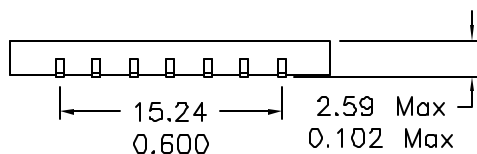
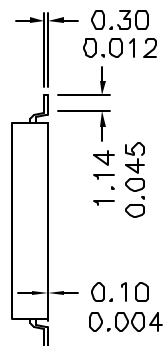
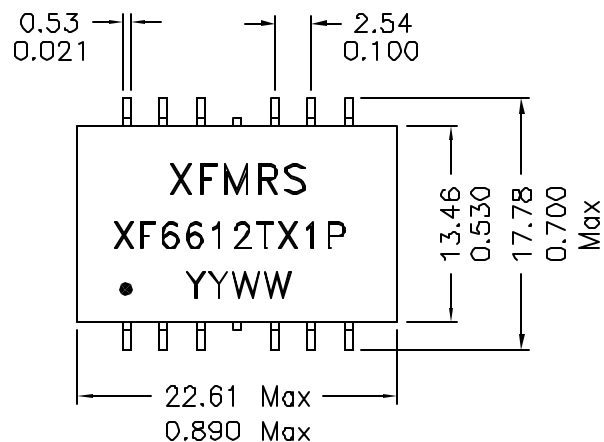
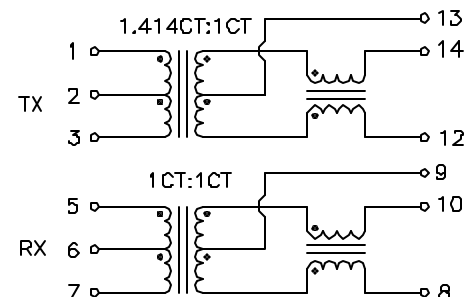


1. Dimensions:



SUGGESTED PCB LAYOUT

2. Schematic:



3. Electrical Specifications: @25°C

HIPOT: 1500VAC (INPUT/OUTPUT)
 Turns Ratio (1-2-3):(14-13-12) = 1.414CT:1CT
 Turns Ratio (5-6-7):(10-9-8) = 1CT:1CT
 OCL(10-8), (14-12): 350uH Min. @100KHz 100mV 8mADC
 DCR: P1-3 0.95 Ohms Max
 P12-14 0.95 Ohms Max
 P5-7 0.75 Ohms Max
 P8-10 1.20 Ohms Max
 Insertion Loss: @100KHz - 100MHz -1.0dB Typ.
 RETURN LOSS: @30MHz -16dB Typ.
 @60MHz -12dB Typ.
 @80MHz -10dB Typ.
 Crosstalk: @32MHz -40dB Max.
 @62MHz -35dB Max.
 @100MHz -35dB Max.

Notes:

- Solderability: Leads shall meet MIL-STD-202G, Method 208H for solderability.
- Flammability: UL94V-0
- ASTM oxygen index: > 28%
- Insulation System: Class F 155°C. UL file E151556
- Operating Temperature Range: All listed parameters are to be within tolerance from -40°C to +85°C
- Storage Temperature Range: -55°C to +125°C
- Aqueous wash compatible
- SMD Lead Coplanarity: ±0.004"(0.102mm)
- Electrical and mechanical specifications 100% tested
- RoHS Compliant Component

DOC. REV. A/3

XFMRS Inc		Title: 10/100BASE-TX Filter Modules	
UNLESS OTHERWISE SPECIFIED ALL TOLERANCES ARE: .xx±0.25mm/.xxx±0.010 inch Dimensions in mm/inch		P/N: XF6612TX1P	REV. A
DWN.	廖玉坤	Sep-13-06	
CHK.	李清儿	Sep-13-06	
SCALE 2:1 SHT 1 OF 1	APP.	Joe Huff	Sep-13-06

PROPRIETARY Document is the property of XFMRS Group & is not allowed to be duplicated without authorization.