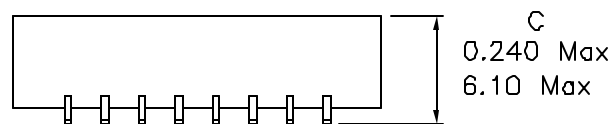
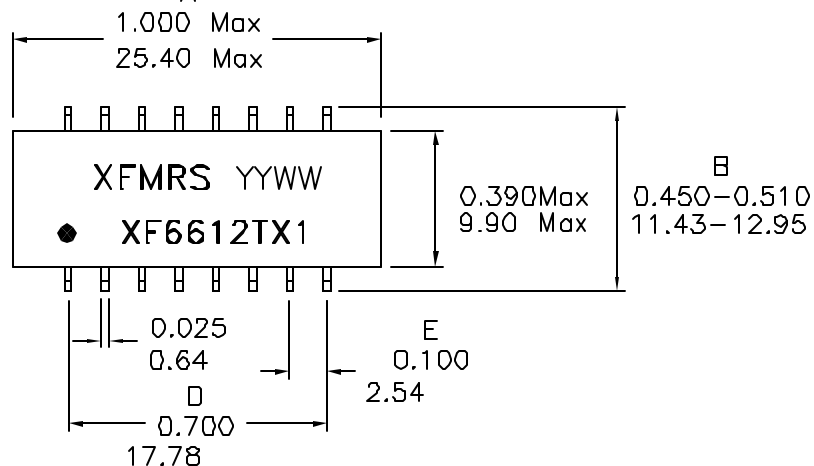
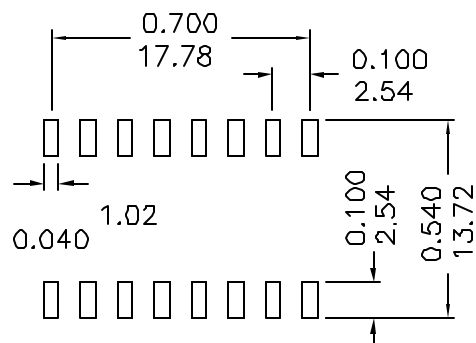


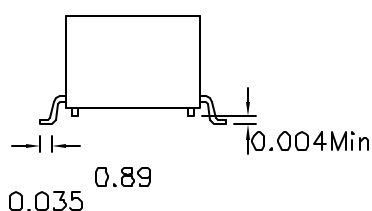
1. Dimensions:



CO-PLANARITY \pm 0.004 Max
0.10 Max



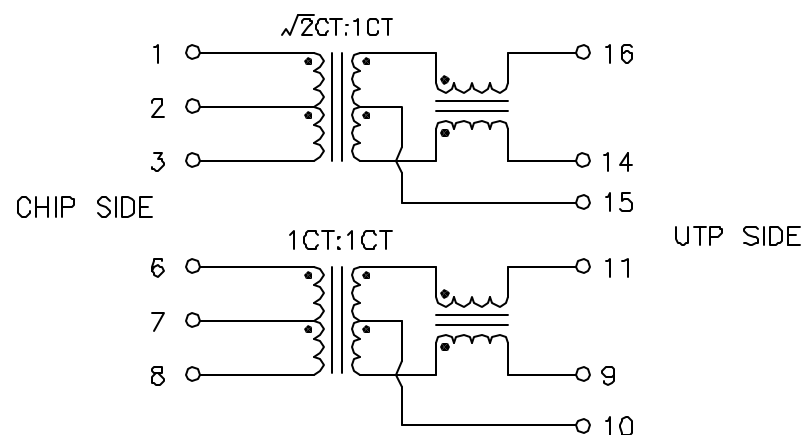
SUGGESTED FOOTPRINT



Notes:

1. Solderability: Leads shall meet MIL-STD-202G, Method 208H for solderability.
2. Flammability: UL94V-0
3. ASTM oxygen Index: > 28%
4. Insulation System: Class F 155°C. UL file E161556
5. Operating Temperature Range: All listed parameters are to be within tolerance from 0°C to +70°C
6. Storage Temperature Range: -55°C to +125°C
7. Aqueous wash compatible
8. SMD Lead Coplanarity: \pm 0.004"(0.102mm)
9. Electrical and mechanical specifications 100% tested
10. RoHS Compliant Component

2. Schematic:



3. Electrical Specifications: @25°C

Turns Ratio: TX 1.41CT:1CT (\pm 2%) RX 1CT:1CT (\pm 2%)
 Isolation Voltage: 1500 Vrms (Input to Output)
 UTP Side OCL: 350uH Minimum @100KHz, 100mV 8mADC
 Insertion Loss (0.3-100MHz): 1.0dB Maximum
 Return Loss (dB Typ):

30MHz	60MHz	80MHz
16	12	10

Crosstalk (dB Min):

32MHz	62MHz	100MHz
40	35	35

DOC. REV: A/4

PROPRIETARY

Document is the property of XFMRS Group & is not allowed to be duplicated without authorization.

XFMRS Inc.
www.XFMRS.com

Title:
10/100BASE-TX MAGNETICS

UNLESS OTHERWISE SPECIFIED
TOLERANCES:
.xxx \pm 0.010 Inch
Dimensions in Inch/mm
SCALE 2:1 SHT 1 OF 1

P/N: XF6612TX1			REV. A
DWN.	Xiany	Jul-15-08	
CHK.	YK Liao	Jul-15-08	
APP.	BW	Jul-15-08	