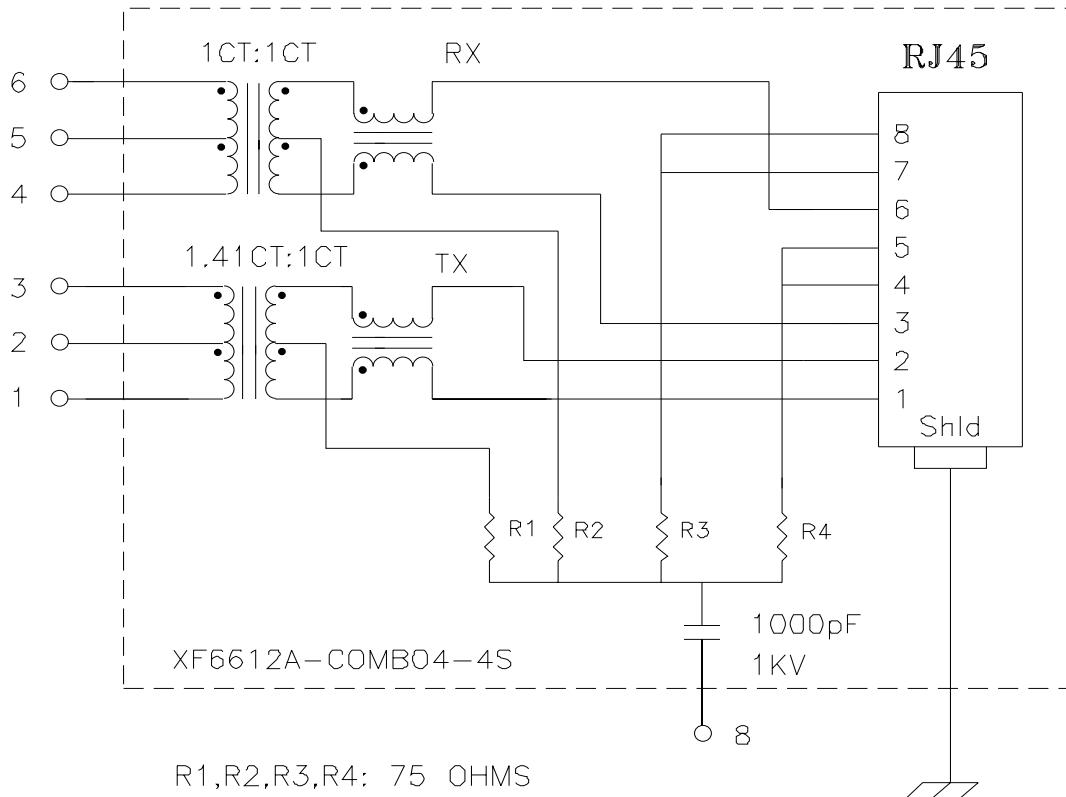


Schematic:

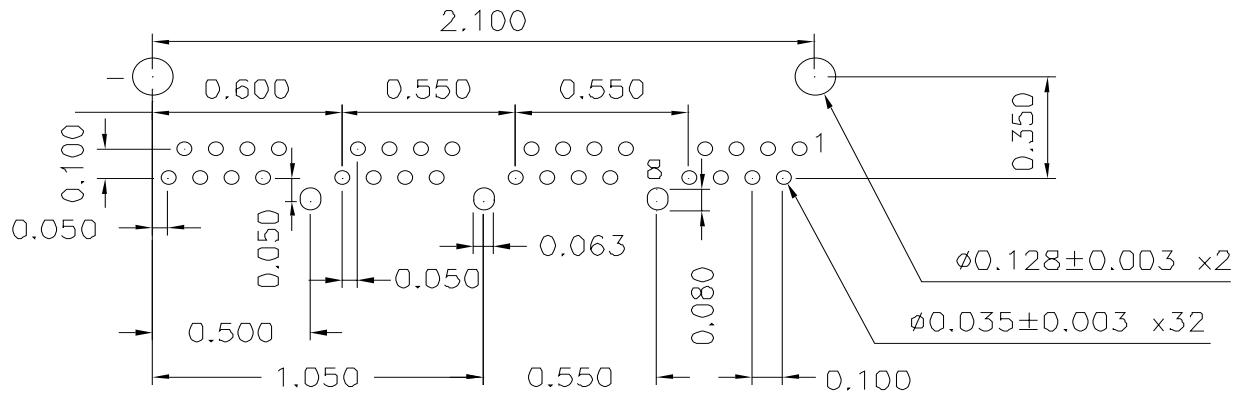
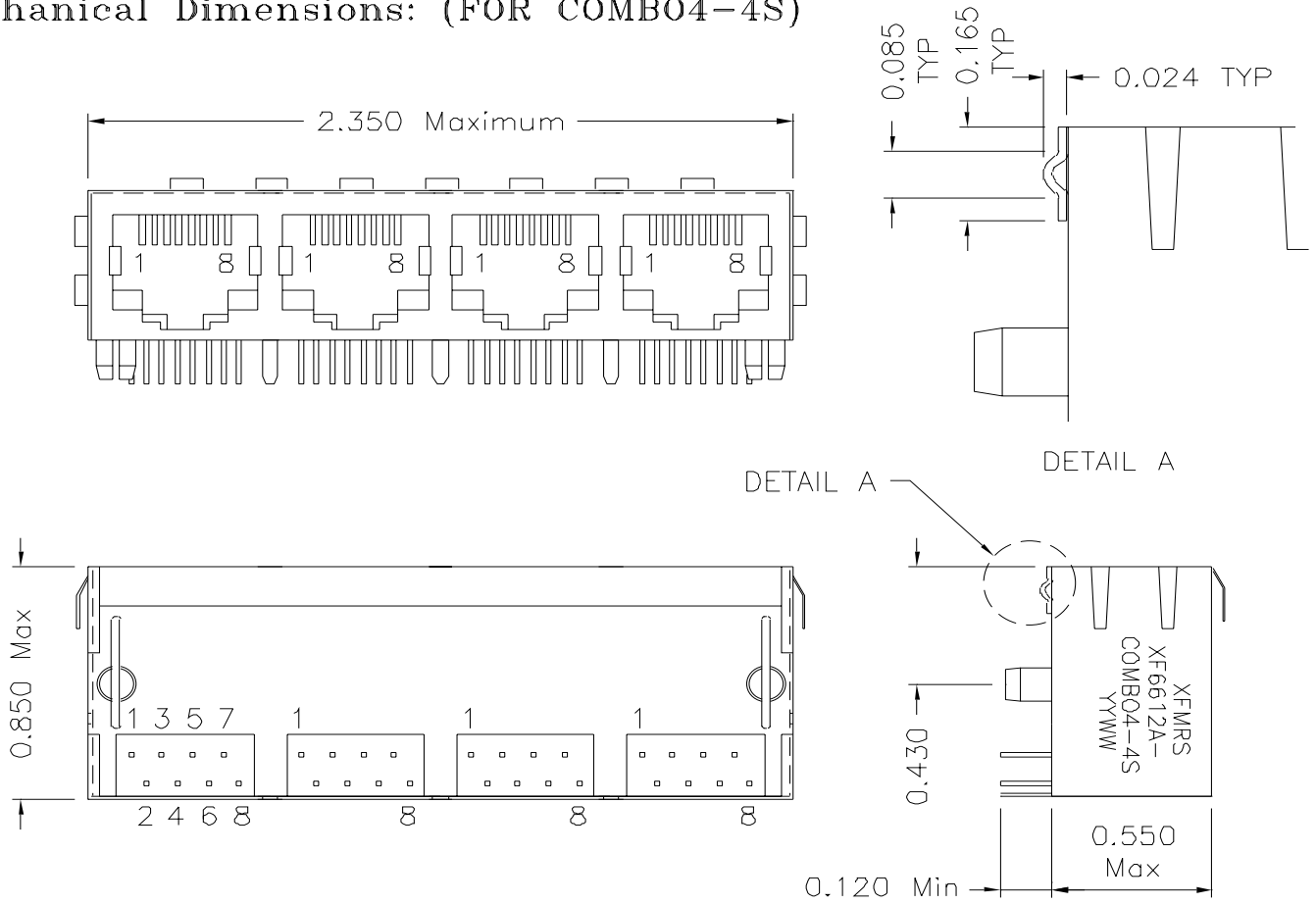


Electrical Specifications: @25°C

Isolation Voltage: 1500 Vrms (Input to Output)
 Isolation Voltage: 500 Vrms (P1+2+3 to P4+5+6)
 Turns Ratio: RX 1CT:1 ±3% TX 1.41CT:1 ±3%
 OCL P6-4: 350uH Minimum @100KHz 100mV 8mADC
 OCL P3-1: 696uH Minimum @100KHz 100mV 8mADC
 Leakage Inductance: P6-4, 0.3uH Max @100KHz Short J6 and J3
 Leakage Inductance: P3-1, 0.6uH Max @100KHz Short J2 and J1
 Cw/w: 25pF Max @100KHz 100mV
 Insertion Loss (300KHz-100MHz): -1.0dB Minimum
 Return Loss: @30MHz -20dB Minimum
 @80MHz -15dB Minimum

XFMRs Inc. UNLESS OTHERWISE SPECIFIED TOLERANCES: .xxx ±0.010 Dimensions in Inch SHEET 1 OF 2	Title: QUAD PORT COMBO		
	P/N: XF6612A-COMBO4-4S		REV. A
	DWN.	李清儿	Jun-30-00
	CHK.	孙悦	Jun-30-00
APP.	Joe Huff	Jun-30-00	

Mechanical Dimensions: (FOR COMBO4-4S)



SUGGESTED MOUNTING PATTERN

DOC. REV: A/1

XFMR5 Inc. UNLESS OTHERWISE SPECIFIED TOLERANCES: .xxx ±0.010 Dimensions in Inch SHEET 2 OF 2	Title: Mechanical Dimensions For COMBO4-4S Series	
	P/N: XF6612A-COMBO4-4S	REV. A
	DWN. 廖玉坤	Jun-30-00
	CHK. 李清儿	Jun-30-00
	APP. Joe Huff	Jun-30-00