

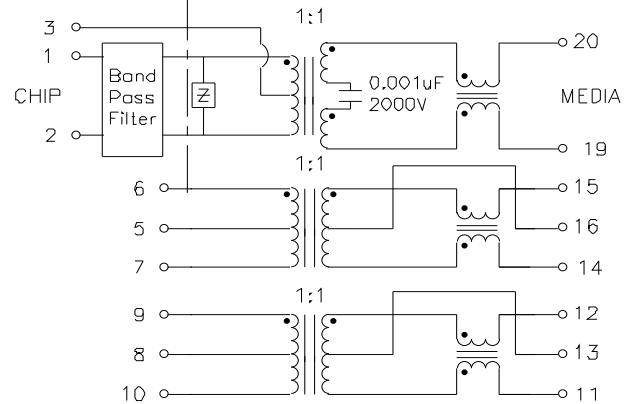
HOME PHONE NETWORKING BANDPASS FILTER with 10/100 Base-TX

- * For Rockwell RS7220 Chip
- * Supports TUT Systems Home Run (HPNA) Technology
- * Includes Sidactor, Isolation Xfmrs, Common Mode Choke and Bandpass Filters on HPNA Side
- * Includes 10/100-TX Magnetics with Common Mode Chokes
- * Pick & Place and IR Reflow Compatible
- * -40 to +85C Temperature Range

Electrical Specifications:

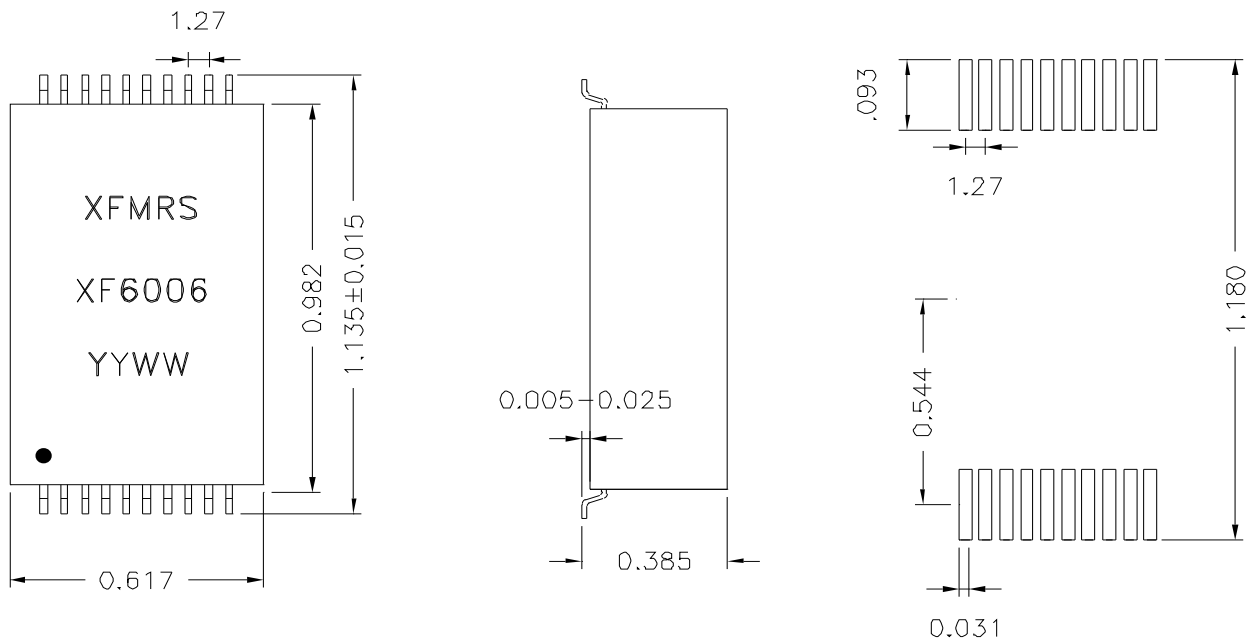
HIPOT: 1500Vrms (Input to Output)
 OCL: 2-1, 5-4 350uH Min
 @100KHz 50mV 8mADC
 Insertion Loss: 6.0-9.0MHz -3dB Max
 Return Loss: 6.0-9.0MHz -9dB Max
 Attenuation: 1MHz -60dB Min
 30MHz -45dB Min
 Lower Band: 5.2-5.8MHz
 Impedance: 100 Ohms

Schematic:



SIDACTOR: P0300SA TECCOR ELECTROINCS, INC.

Dimensions:



RECOMMENDED PCB LAYOUT