

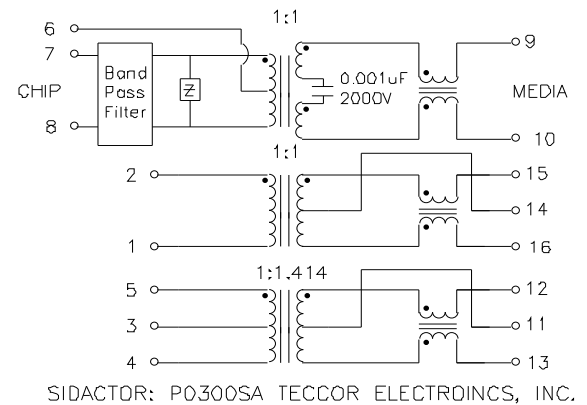
## HOME PHONE NETWORKING BANDPASS FILTER with 10 Base-T

- \* For AMD79C978 Chip
- \* Supports TUT Systems Home Run (HPNA) Technology
- \* Includes Sidactor, Isolation Xfmrs, Common Mode Choke and Bandpass Filters on HPNA side
- \* Includes 10Base-T Magnetics with Common Mode Chokes
- \* Pick & Place and IR Reflow Compatable
- \* -40 to +85C Temperature Range

### Electrical Specifications:

HIPOT: 1500Vrms (Input to Output)  
 OCL: 2-1, 5-4 200uH Typ @100KHz 50mV  
 Passband: @4.25-9.75MHz  
 Insertion Loss: @4.25-9.75MHz 2.2dB Max  
 Passband ripple: 0.5dB  
 Attenuation @1.1MHz 60dB Min  
                   @22MHz 35dB Min  
                   @54MHz 60dB Min  
 CMRR (common mode to diff.): 40dB Min

### Schematic:



### Dimensions:

