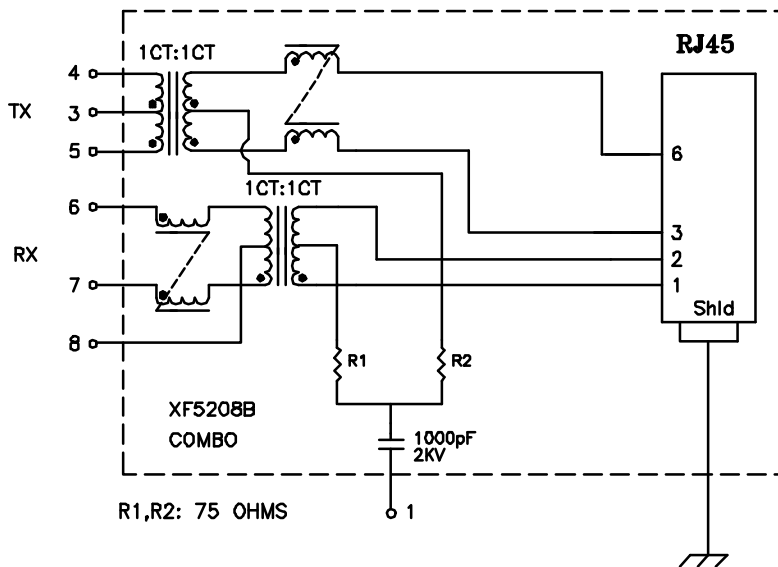


Schematic:



Electrical Specification:

Turns Ratio: PRI/SEC TX 1CT:1CT $\pm 3\%$ RX 1CT:1CT $\pm 3\%$
 Isolation Voltage: 1500 Vrms (Input to Output) 500 Vrms (TX to RX)
 OCL: 350uH Minimum @100KHz, 100mV 8mADC
 INSERTION LOSS: 1.0dB Max. @100KHz - 100MHz
 RETURN LOSS: 30MHz -20dB Min.
 80MHz -15dB Min.
 CROSSTALK: -65dB Typical @1MHz
 -55dB Typical @30MHz
 -45dB Typical @60MHz
 -35dB Typical @100MHz
 CMRR: -30dB Typical @100KHz-80MHz
 DIFFERENTIAL TO COMMON MODE REJECTION:
 -40dB Typical @100KHz-60MHz
 -30dB Typical @60MHz-100MHz

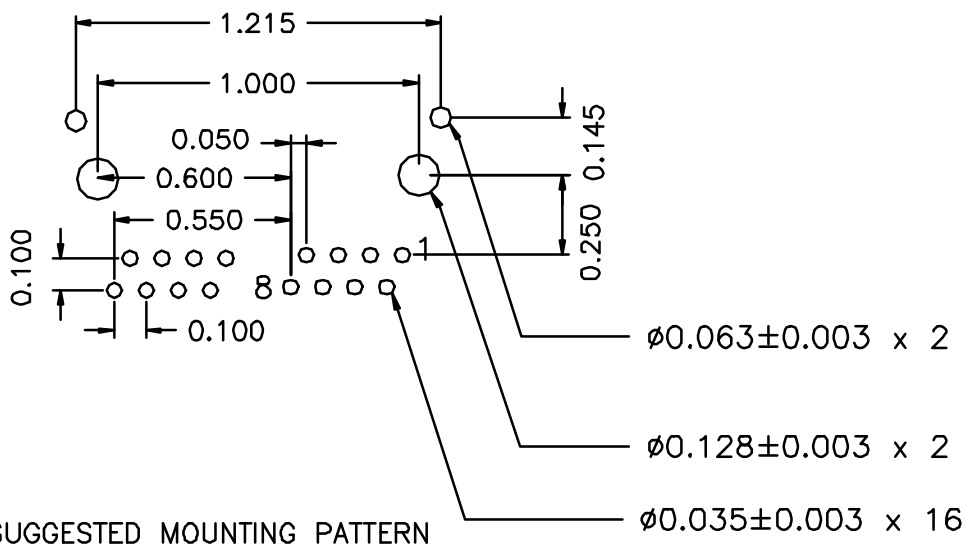
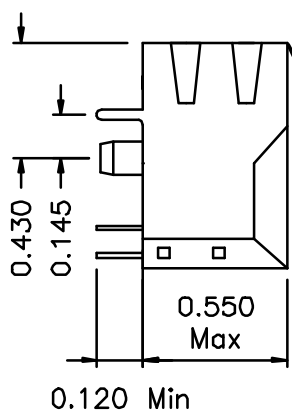
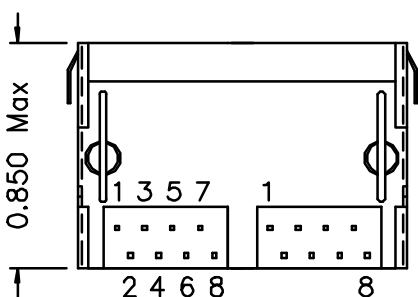
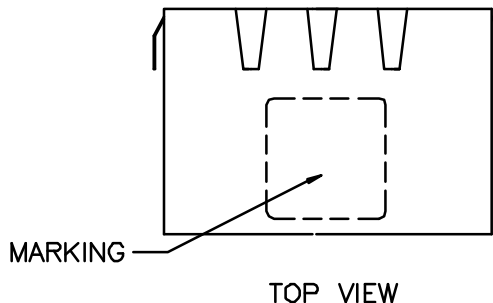
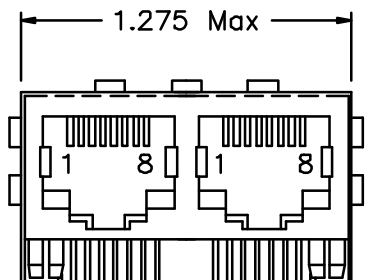
Note:

1. Solderability: Leads shall meet MIL-STD-202, Method 208D for solderability.
2. Flammability: UL94V-0,
3. ASTM oxygen index: > 28% ,
4. Temperature rating: 155°C. UL file E151556,
5. Operating Temperature Range: -40°C to +85°C

XFMRs Inc. UNLESS OTHERWISE SPECIFIED TOLERANCES: .xxx ± 0.010 Dimensions in Inch SHEET 1 OF 2	Title: 10/100BASE-T DUAL PORT COMBO		
	P/N: XF5208B-COMBO2-4S		REV. A
	DWN.	廖玉坤	Apr-26-01
	CHK.	李清儿	Apr-26-01
	APP.	Joe Huff	Apr-26-01

DOC. REV. A/1

Mechanical Dimensions: (FOR COMB02-4S)



SUGGESTED MOUNTING PATTERN

DOC REV: A/1

XFMRs Inc.	Title: Mechanical Dimensions For COMB02-4S Series		
	UNLESS OTHERWISE SPECIFIED TOLERANCES: .xxx ±0.010 Dimensions in Inch	P/N: XF5208B-COMB02-4S	REV. A
SHEET 2 OF 2	DWN.	廖玉坤	Apr-26-01
	CHK.	李清儿	Apr-26-01
	APP.	Joe Huff	Apr-26-01