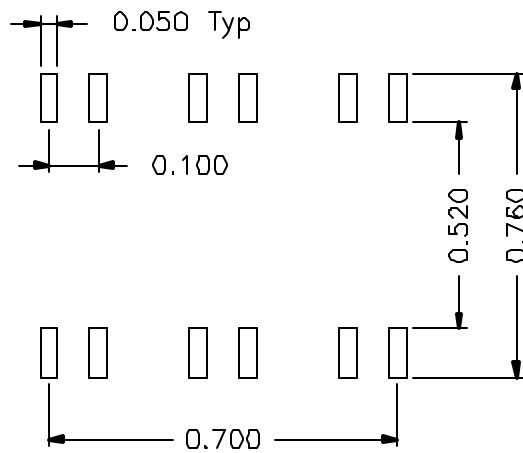
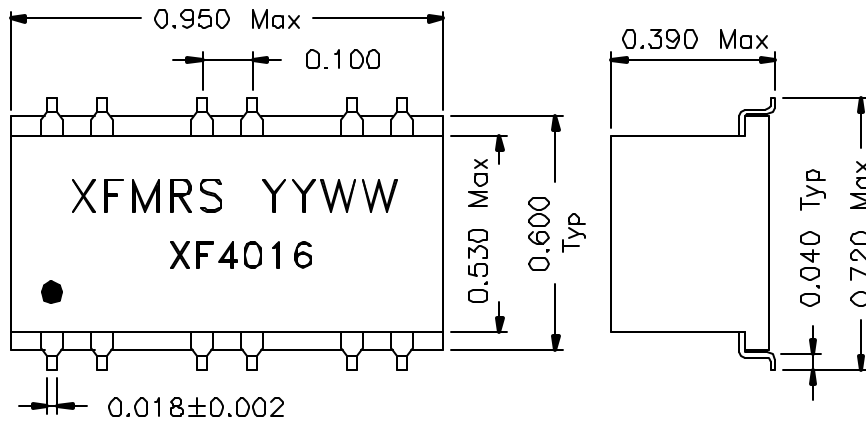
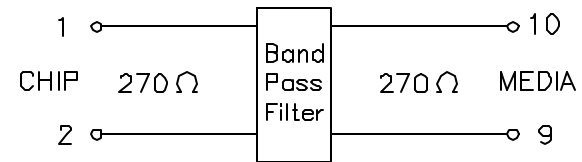


1. Dimensions:



SUGGESTED PCB LAYOUT

2. Schematic:



3. Electrical Specifications: @25°C

Passband: @900KHz-3MHz
 Insertion Loss: 1.2dB Max @900KHz-3MHz
 Return Loss: 12dB Min @900KHz-3MHz
 Stopband: 4.5-7.9MHz
 Attenuation @50dB Min

PRELIMINARY

DOC REV: A/1

THIS DOCUMENT IS STRICTLY NOT ALLOWED TO BE DUPLICATED WITHOUT AUTHORIZATION

XFMRS INC.		Title: ISDN/POTS SPLITTER	
UNLESS OTHERWISE SPECIFIED TOLERANCES: .xxx ±0.010 Inch Dimensions in Inch/mm		P/N: XF4016	REV. A
DWN.	廖玉坤	CHK.	李清儿
APP.	Joe Huff	SCALE 2:1 SHT 1 OF 1	Sep-27-00