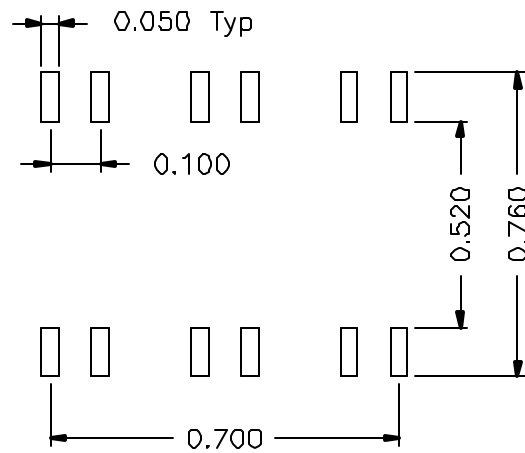
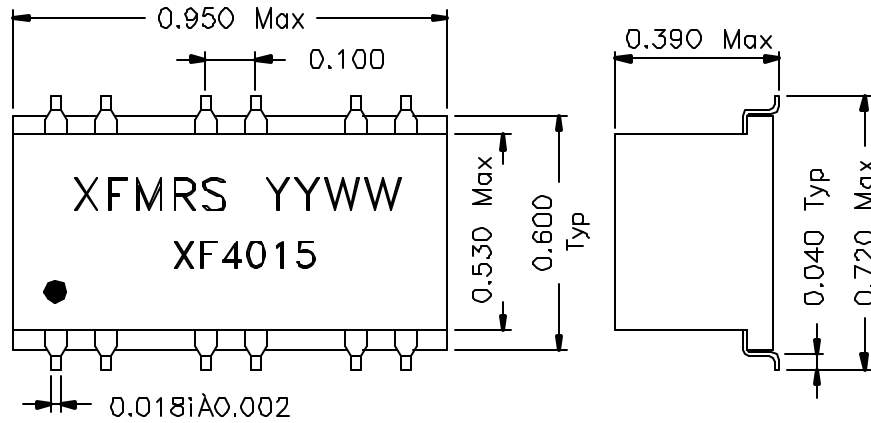
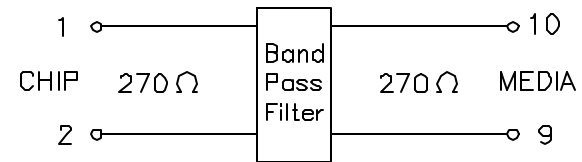


1. Dimensions:



SUGGESTED PCB LAYOUT

2. Schematic:



3. Electrical Specifications: @25°C

- Passband: @4.5–7.9MHz
- Insertion Loss: 0.8dB Max @4.5–7.9MHz
- Return Loss: 12dB Min @4.5–7.9MHz
- Stopband: 900KHz–3MHz
- Attenuation @50dB Min

PRELIMINARY

DOC REV: A/1

XFMRS INC.	Title: ISDN/POTS SPLITTER		
	UNLESS OTHERWISE SPECIFIED TOLERANCES: .xxx ±0.010 Inch Dimensions in Inch/mm		P/N: XF4015
	DWN.	廖玉坤	Sep-27-00
	CHK.	李清儿	Sep-27-00
	APP.	Joe Huff	Sep-27-00