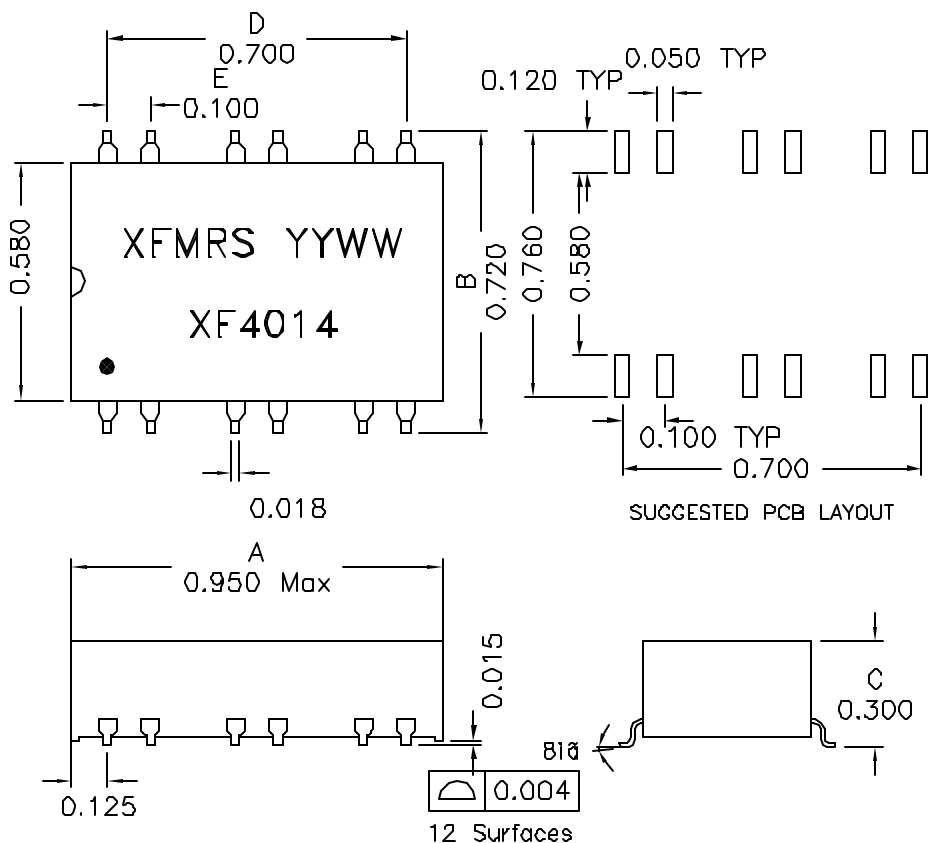


### 1. Mechanical Dimensions:

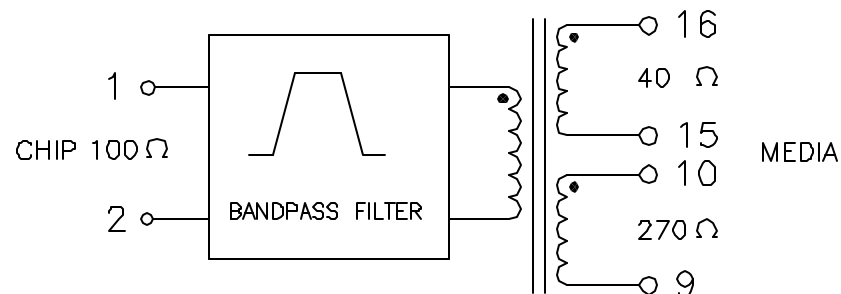


**Notes:**

1. Solderability: Leads shall meet MIL-STD-202G, Method 208H for solderability.
2. Flammability: UL94V-0
3. ASTM oxygen index: > 28%
4. Insulation System: Class F 155°C. UL file E151556
5. Operating Temperature Range: All listed parameters are to be within tolerance from -40°C to +85°C
6. Storage Temperature Range: -55°C to +125°C
7. Aqueous wash compatible
8. SMD Lead Coplanarity: ±0.004\*(0.102mm)
9. Electrical and mechanical specifications 100% tested
10. RoHS Compliant Component

DOC. REV: A/7

### 2. Schematic:



### 3. Electrical Specifications: @25°C

- Hipot: 1500Vrms
- Passband: @900KHz-7.9MHz
- Insertion Loss: 0.5dB Max @900KHz-7.9MHz
- Attenuation: 15dB Min @18MHz & 40MHz
- Return Loss: 12dB Min @900KHz-4MHz
- Stopband: 20-150KHz
- Attenuation @60dB Min

**PROPRIETARY**

Document is the property of XFMR5 Group & is not allowed to be duplicated without authorization.

<b>XFMR5 INC.</b> www.XFMR5.com		Title: BANDPASS FILTER	
UNLESS OTHERWISE SPECIFIED TOLERANCES: .xxx ±0.010 Dimensions in Inch SHT 1 OF 1	P/N: XF4014	REV. A	
	DWN.	廖玉坤	Oct-12-06
	CHK.	李清儿	Oct-12-06
	APP.	MS	Oct-12-06