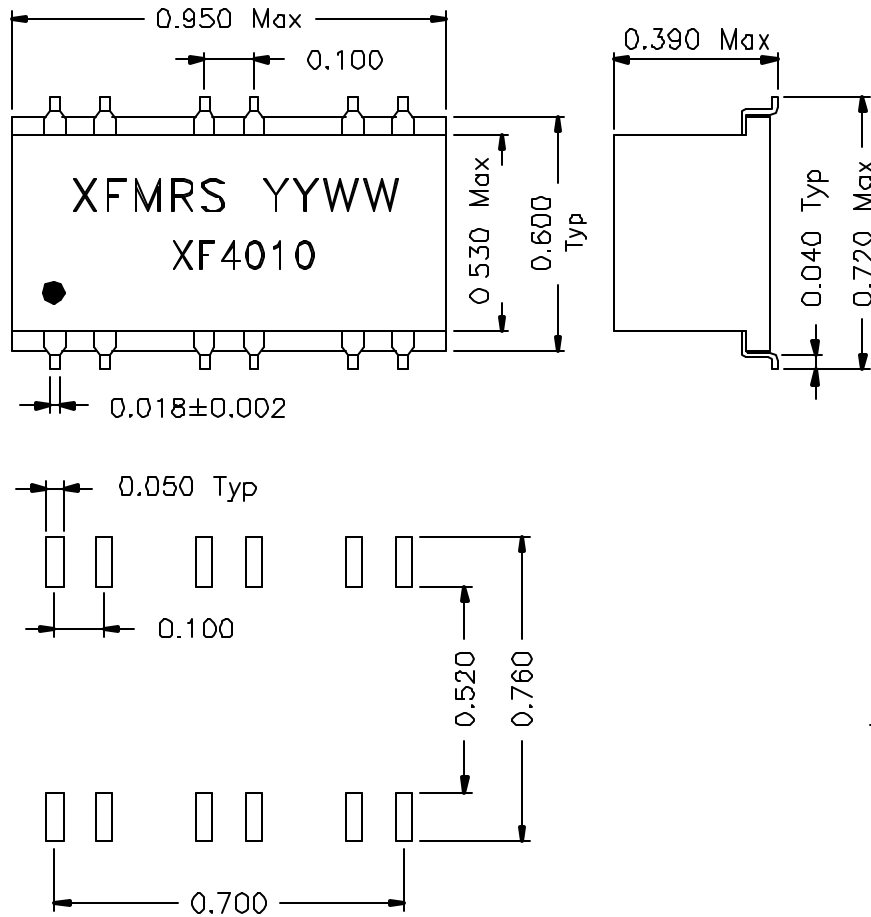
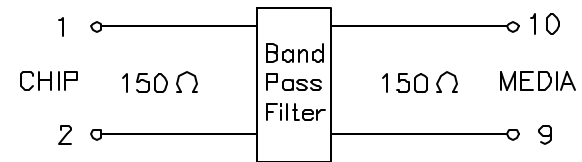


1. Dimensions:



SUGGESTED PCB LAYOUT

2. Schematic:



3. Electrical Specifications: @25°C

Passband: @20-120KHz
 Insertion Loss: 0.4dB Max @20-120KHz
 Return Loss: 20dB Min @20-120KHz
 Stopband: 800KHz-7.9MHz
 Attenuation @65dB Min

PRELIMINARY

DOC REV: A/1

THIS DOCUMENT IS STRICTLY NOT ALLOWED TO BE DUPLICATED WITHOUT AUTHORIZATION

XFMR INC.	Title: ISDN/POTS SPLITTER	
	P/N: XF4010	REV. A
UNLESS OTHERWISE SPECIFIED TOLERANCES: .xxx ±0.010 Inch Dimensions in Inch/mm	DWN.	廖玉坤 Sep-27-00
	CHK.	李清儿 Sep-27-00
	APP.	Joe Huff Sep-27-00
SCALE 2:1 SHT 1 OF 1		