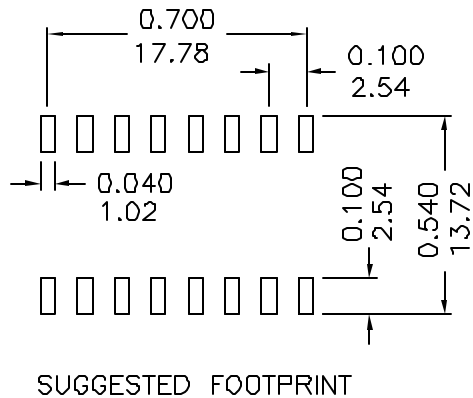
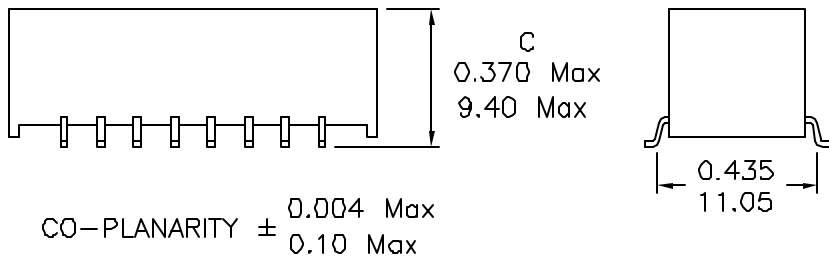
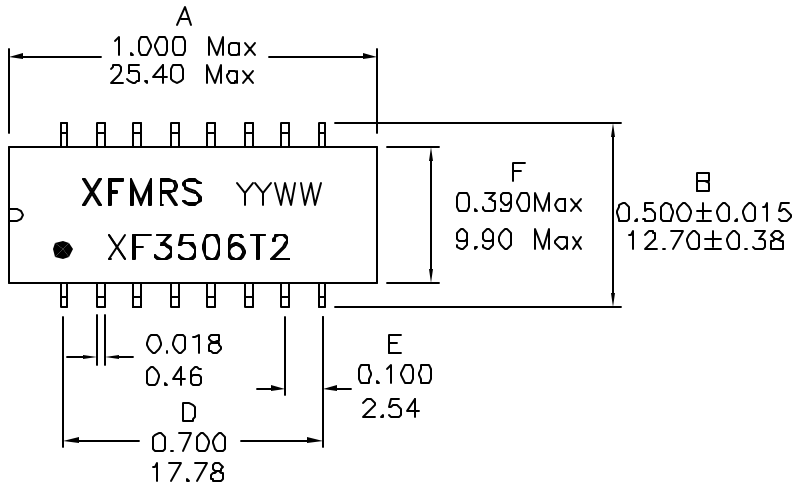
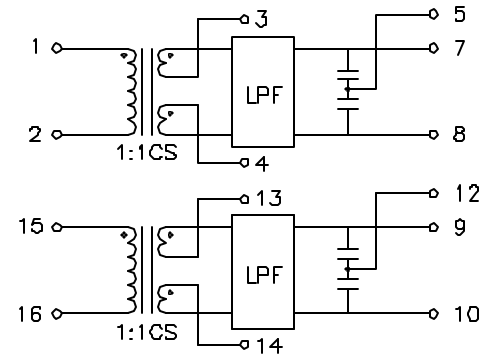


1. Dimensions:



SUGGESTED FOOTPRINT

2. Schematic:



3. Electrical Specifications: @25°C

- Return Loss (1-17MHz): 16dB Minimum
- Return Loss (17-25MHz): 9dB Minimum
- Insertion Loss: 12KHz 4MHz 16MHz 24MHz
3.0 0.6 1.0 1.8 (dB Max)
- Insertion Loss: 10dB Min @36MHz
- Common Mode Rejection: 20dB Minimum @5MHz
25dB Minimum @20MHz
20dB Minimum @200MHz
- Cross Talk: 50dB Minimum @5MHz
50dB Minimum @16MHz
46dB Minimum @24MHz
- HIPOT: 600 Vrms

Notes:

1. Solderability: Leads shall meet MIL-STD-202, Method 208D for solderability.
2. Flammability: UL94V-0,
3. ASTM oxygen index: > 28% ,
4. Temperature rating: 155°C. UL file E151556,
5. Operating Temperature Range: -40°C to +85°C

| | | |
|--|---------------------------|-----------|
| XFMRS INC. | Title: ATM 25 MBPS FILTER | |
| | P/N: XF3506T2 | REV. A |
| UNLESS OTHERWISE SPECIFIED TOLERANCES: .xxx ±0.010 Inch Dimensions in Inch/mm | DWN. 李小锋 | Jul-08-02 |
| | CHK. 廖玉坤 | Jul-08-02 |
| SCALE 2:1 SHT 1 OF 1 | APP. Isaiah M | Jul-08-02 |

DOC. REV A/4