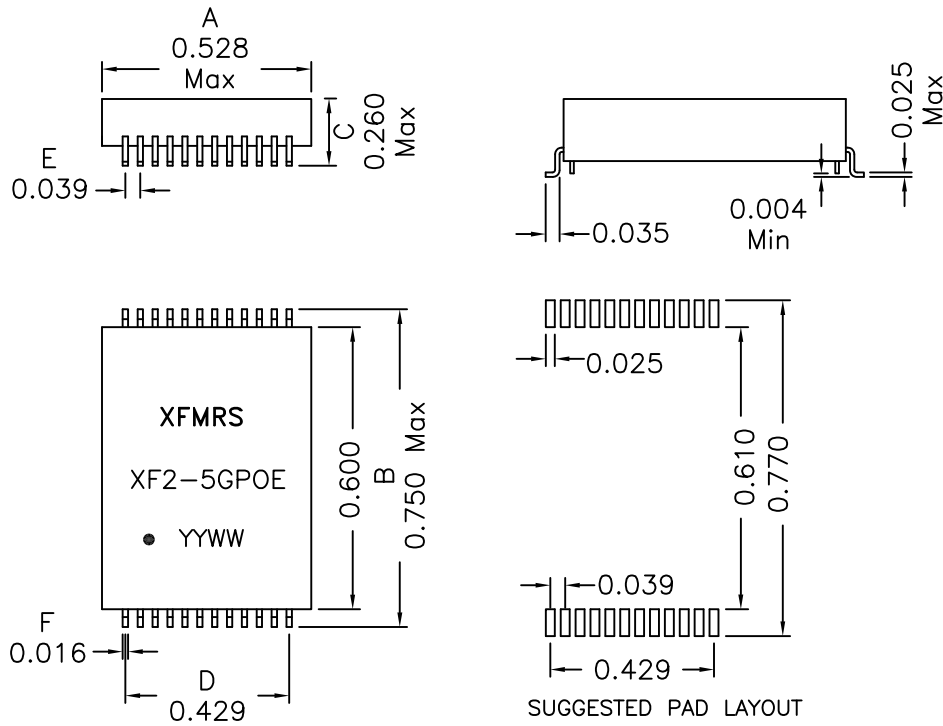
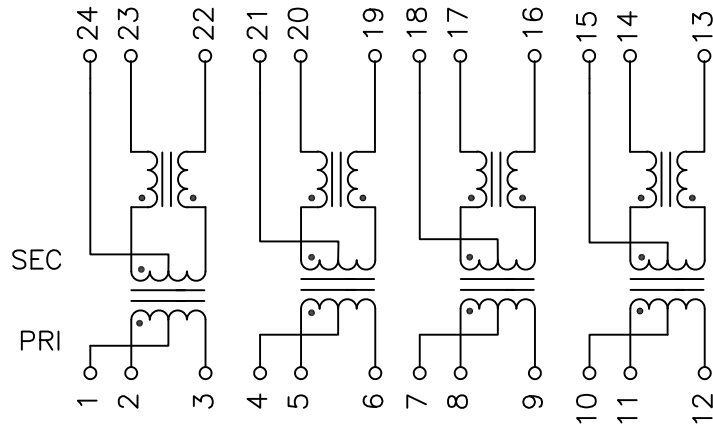


1. Mechanical Dimensions:



2. Schematic:



3. Electrical Specifications: @25°C

ISOLATION: 1500 Vrms, 60Sec
 TURNS RATIO: (PRI/SEC) 1CT:1CT ±2%
 Pri OCL: 350uH MIN @100KHz 100mV 8mADC
 Q: Pins 2-3 tbd Min @100KHz 100mV
 DCR: Pins 23-22, 20-19, 17-16, 14-13 1.2 Ohms Max
 INSERTION LOSS: -1.0dB MAX @1MHz-100MHz
 -1.5dB MAX @100MHz-125MHz
 -2.5dB MAX @125MHz-250MHz
 RETURN LOSS: -16dB Min @1MHz-40MHz
 -10dB Min @40MHz-100MHz
 -6dB Min @100MHz-125MHz
 Cross Talk: -30dB Min @ 1MHz-100MHz
 -25dB Min @ 100MHz-125MHz
 Common to Common Mode Rejection:
 -30dB Min @ 1MHz-100MHz
 -25dB Min @ 100MHz-125MHz
 1.6A Total Current Capability

Notes:

1. Solderability: Leads shall meet MIL-STD-202G, Method 208H for solderability.
2. Flammability: UL94V-0
3. ASTM oxygen index: > 28%
4. Insulation System: Class F 155°C. UL file E151556
5. Operating Temperature: -40°C to +85°C
6. Storage Temperature Range: -55°C to +125°C
7. Aqueous wash compatible
8. SMD Lead Coplanarity: ±0.004"(0.102mm)
9. Electrical and mechanical specifications 100% tested
10. RoHS Compliant Component

XFMRS Inc www.XFMRS.com		Title: 2.5G BASE-T POE TRANSFORMER	
UNLESS OTHERWISE SPECIFIED TOLERANCES: .xxx ±0.010 Dimensions in INCH	P/N: XF2-5GPOE	REV. A	
	DWN.	Mei Chen	Feb-22-17
SHEET 1 OF 1	CHK.	YK Liao	Feb-22-17
	APP.	BSJ	Feb-22-17

DOC. REV: A/1