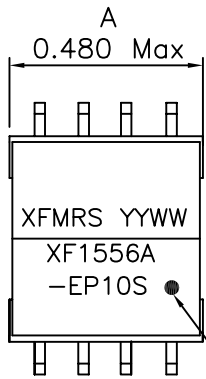
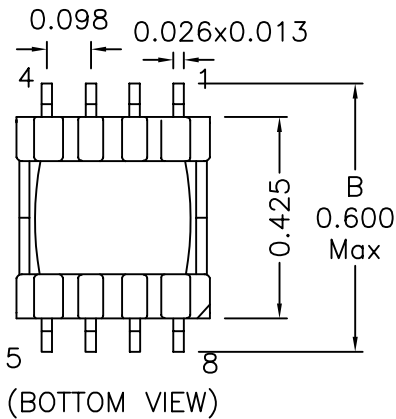


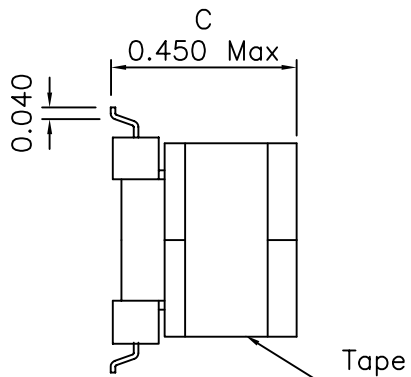
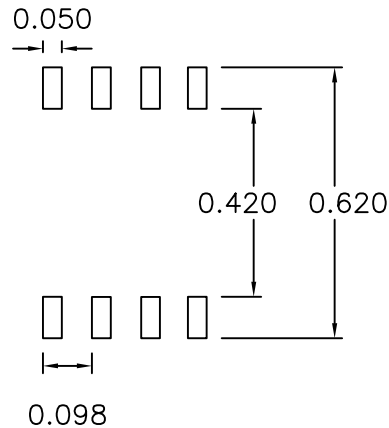
### 1. Mechanical Dimensions:



White dot indicates pin #1



(BOTTOM VIEW)

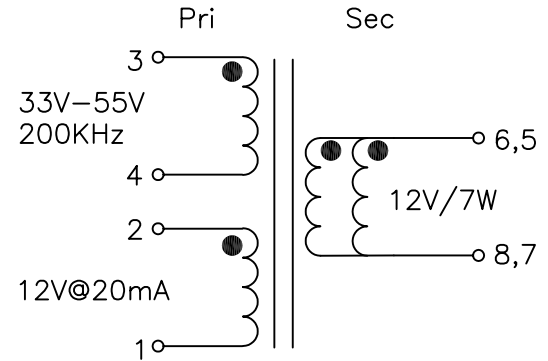


**Notes:**

1. Solderability: Leads shall meet MIL-STD-202G, Method 208H for solderability.
2. Flammability: UL94V-0
3. ASTM oxygen index: > 28%
4. Insulation System: Class F 155°C. UL file E151556
5. Operating Temperature Range: All listed parameters are to be within tolerance from -40°C to +85°C
6. Storage Temperature Range: -55°C to +125°C
7. Aqueous wash compatible
8. SMD Lead Coplanarity: ±0.004\*(0.102mm)
9. Electrical and mechanical specifications 100% tested
10. RoHS Compliant Component

DOC REV: A/2

### 2. Schematic:



### 3. Electrical Specifications: @25°C

- OCL: Pins 3-4 155uH±10% @10KHz 0.1V  
Pins 3-4 139.5uH Min @10KHz 0.1V 0.65A
- LL: Pins 3-4 3.25uH Max @100KHz 0.1V,  
Short Pins 5-8
- Q: Pins 3-4 10 Min @10KHz 0.1V
- DCR: Pins 3-4 0.414 Ohms Max  
Pins 2-1 0.822 Ohms Max  
Pins 6-8 0.686 Ohms Max  
Pins 5-7 0.686 Ohms Max
- URNS RATIO: Pins (3-4):(2-1):(6,5-8,7)=  
1.000:0.667:0.667±5%
- HIPOT: 1500Vac, PRI to SEC

<b>XFMR5 Inc</b> <a href="http://www.XFMR5.com">www.XFMR5.com</a>	Title: POE TRANSFORMER		
	UNLESS OTHERWISE SPECIFIED	P/N: XF1556A-EP10S	REV. A
TOLERANCES: .xxx ±0.010	DWN.	Mei Chen	Mar-30-10
Dimensions in INCH	CHK.	YK Liao	Mar-30-10
SHT 1 OF 1	APP.	BW	Mar-30-10

**PROPRIETARY**

Document is the property of XFMR5 Group & is not allowed to be duplicated without authorization.