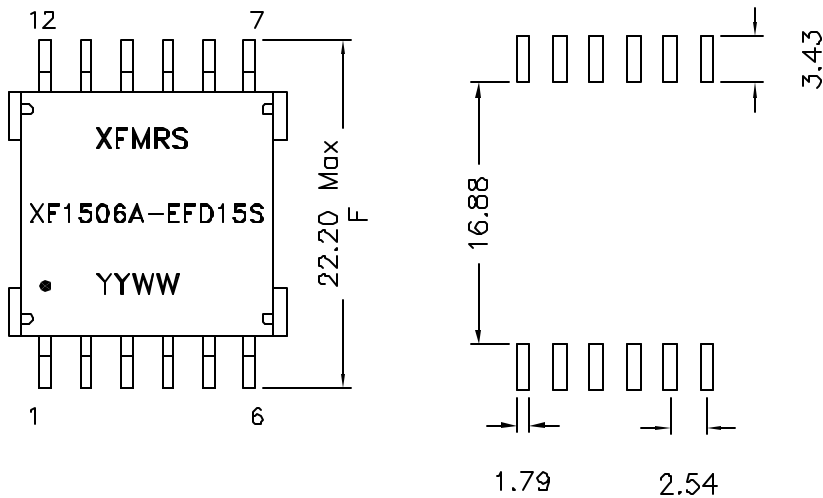
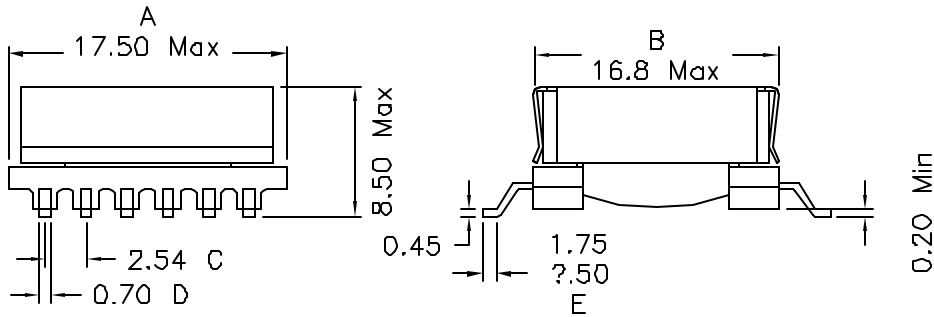


1. Mechanical Dimensions:

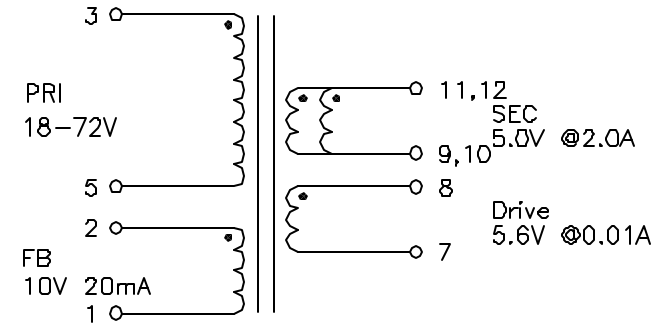


Notes:

1. Solderability: Leads shall meet MIL-STD-202G, Method 208H for solderability.
2. Flammability: UL94V-0
3. ASTM oxygen index: > 28%
4. Insulation System: Class F 155°C. UL file E151556
5. Operating Temperature Range: All listed parameters are to be within tolerance from -40°C to +85°C
6. Storage Temperature Range: -55°C to +125°C
7. Aqueous wash compatible
8. SMD Lead Coplanarity: $\pm 0.004"$ (0.102mm)
9. Moisture Sensitivity: Level 3
10. Electrical and mechanical specifications 100% tested
11. RoHS Compliant Component

DOC REV: A/3

2. Schematic:



3. Electrical Specifications:

- OCL: Pins 3-5 150uH \pm 10% @100KHz 0.10V
 OCL: Pins 3-5 135uH Min @100KHz 0.10V, 1.20Adc
 LL: Pins 3-5 2.5uH Max @100KHz 0.10V Short all else
 Q: Pins 3-5 30 Min @100KHz 0.10V
 DCR: Pins 3-5 0.515 Ohms Max
 DCR: Pins 11,12-9,10 0.023 Ohms Max
 DCR: Pins 8-7 0.570 Ohms Max
 DCR: Pins 2-1 0.880 Ohms Max
 TURNS RATIO: Pins (3-5):(11,12-9,10)=5:1
 TURNS RATIO: Pins (3-5):(8-7)=3.2:1
 TURNS RATIO: Pins (3-5):(2-1)=2.25:1
 HIPOT: 1500Vac, PRI & FB to SEC
 HIPOT: 300Vac, PRI to FB, All Wdgs to Core

XFMR5, Inc www.XFMR5.com	Title: TRANSFORMER		
UNLESS OTHERWISE SPECIFIED TOLERANCES: .xx \pm 0.20 Dimensions in MM	P/N: XF1506A-EFD15S		REV. A
	DWN.	Juan Mao	Dec-06-05
	CHK.	YK Liao	Dec-06-05
Scale 2.5:1 SHT 1 OF 1	APP.	BW	Dec-06-05