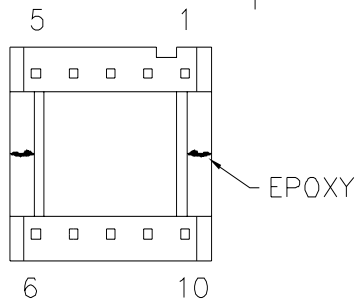
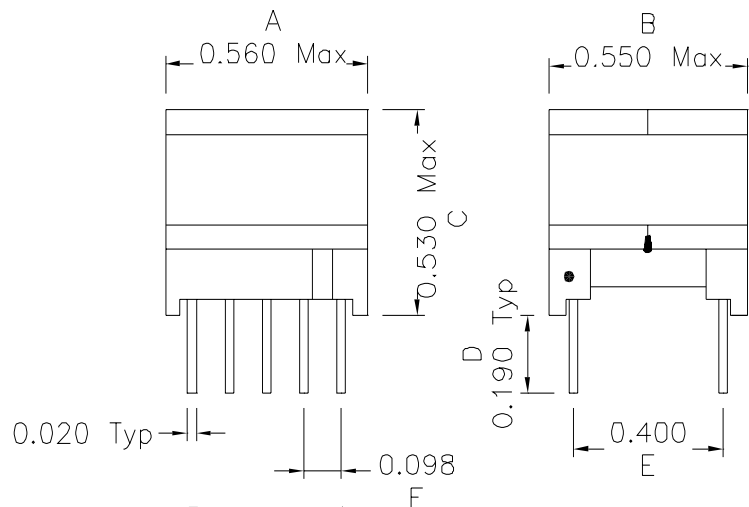


1. Mechanical Dimensions:



(BOTTOM VIEW)

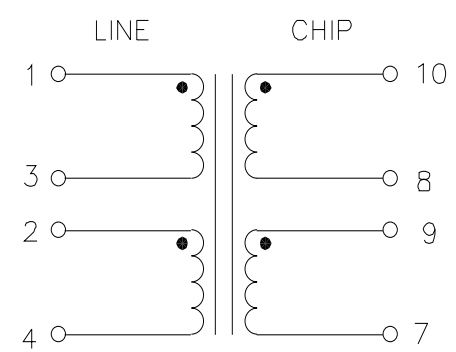
XFMR5
 XF1313
 -8HD
 YYWW ●

TOP VIEW

Note: Designed to meet UL1950 for Supplementary Insulation, 250 working volts.

DOC. REV: B/1

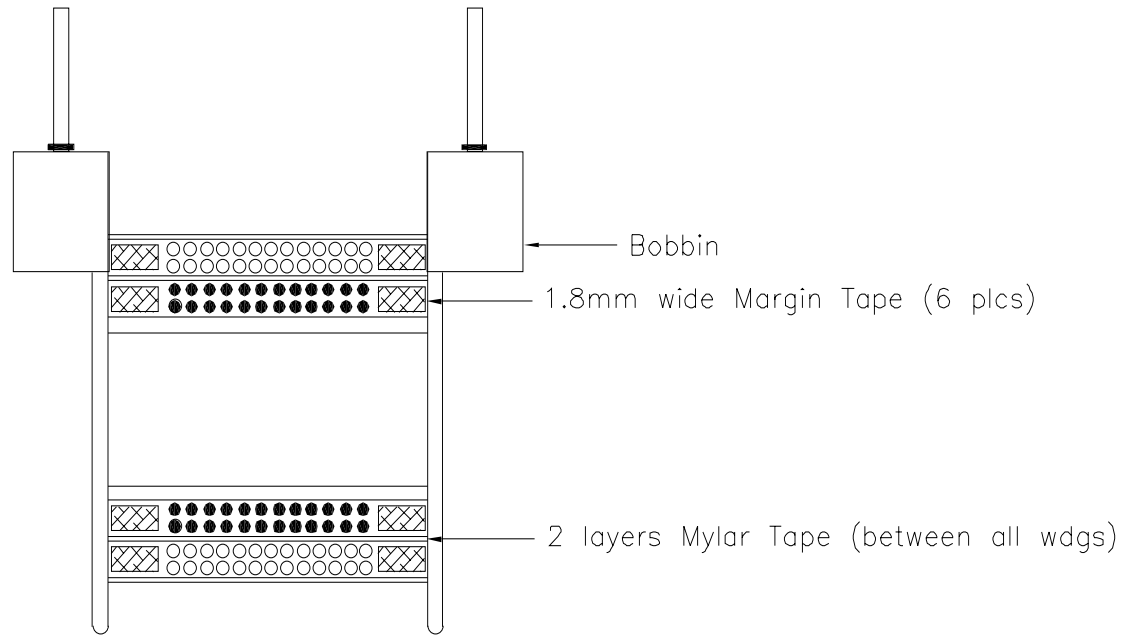
2. Schematic:



3. Electrical Specifications:

- Turns Ratio: (1-4):(10-7) = 1:1±1%
- OCL: (P1-4) 408uH ±5% 10KHz, 0.1V Short P2-3
- Leakage L: (P1-4) 10uH Max 100KHz, 0.1V
- Cw/w: (P1-10) 25pF Max 10KHz, 1.0V Tie P2+3, P8+9 Short P2-3, Chip Side Shorted
- DC Res: (P1-3, 2-4) 0.66 Ohms ±15%
- DC Res.: (P9-7, 10-8) 0.56 Ohms ±15%
- HIPOT: 2500VAC Chip-Line, Wdgs-Core
- Load: 100 Ohms
- THD: 85dB Min @100KHz, 15Vp-p
- Insertion Loss: 0.5dB Max @772KHz
- Freq Resp: 3.0dB Max 30KHz-2MHz

XFMR5 Inc UNLESS OTHERWISE SPECIFIED TOLERANCES: .xxx ±0.010 Dimensions in INCH SHEET 1 OF 1	Title: TRANSFORMER	
	P/N: XF1313-8HD REV. B	
	DWN.	廖玉坤
	CHK.	李清儿
APP.	Joe Huff	Jan-21-00



Cross sectional view

● = Selv Winding

○ = TNV Windings

Materials List	
Bobbin	Sumitomo E-4008 UL #E54705 UL94V-0
Wire	Pacific Electric Wire & Cable Polyurethane-Polyamide-Nylon MW-80, 155°C UL #E84081
Interwinding Tape	3M #1350 UL#17385
Margin Tape	3M #44D UL#17385
Core	10K Perm Ferrite-No UL Required

XFMRS Inc		Title: Construcion Detail	
UNLESS OTHERWISE SPECIFIED TOLERANCES: .xx ±0.010 Dimensions in Inches		P/N: XF1313-8HD	REV B
		DWN. BW	Jan-21-00
Scale 2.5:1 SHT 1 OF 1		CHK. AEI	Jan-21-00
		APP. Joe Huff	Jan-21-00

DOC. REV: B/1