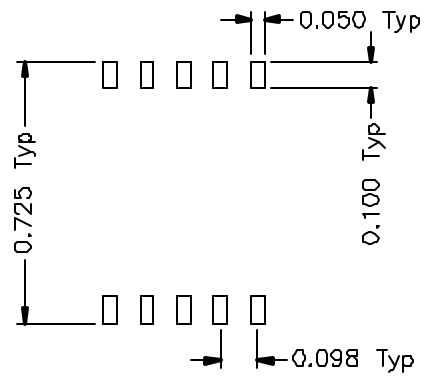
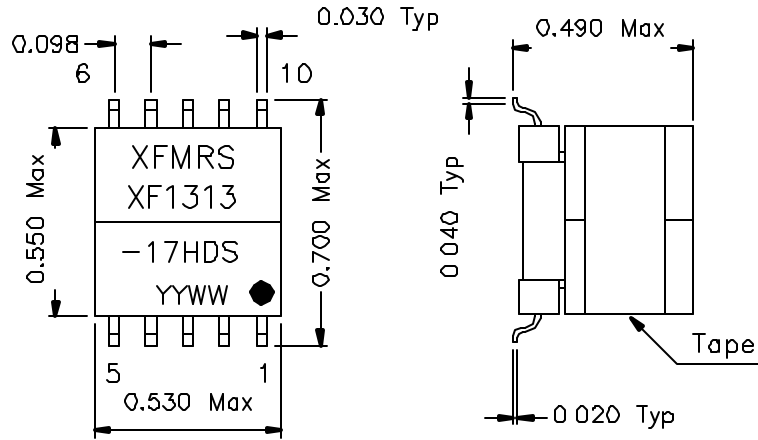
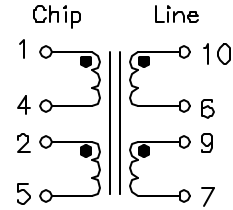


1. Dimensions:



Suggested PCB Layout

2.Schematic:



3.Electrical Specifications: @25°C

PIN10-7 OCL: 3.0mH ±10% @10KHz 0.1V 0mAdc
(CONNECT PIN6-9)

PIN10-7 LL: 30uH Max @100KHz 100mV
(CONNECT PIN 6+9, 1,2,4,5)

URNS RATIO: (1-5):(10-7) = 1:1.8±1% tie(6+9, 2+4)

DC Res.: Pins 1-4 1.15 Ohms Max

DC Res.: Pins 2-5 1.15 Ohms Max

DC Res.: Pins 10-6 1.50 Ohms Max

DC Res.: Pins 9-7 1.50 Ohms Max

ISOLATION VOLTAGE: 2000Vrms (Chip to Line)

OPERATING TEMP: -40 TO 85°C

RETURN LOSS: 16.5dB Min 40-200KHz

LONGITUDINAL BALANCE: 50dB Min @5-196KHz

THD: -75db Typ @5KHz 6Vp-p

UL1950 approved for the requirements of
Supplementary Insulation with 300 working volts.
UL file #E165866

DOC. REV A/1

| | | | |
|----------------------------|----------------------------|-------------------|-----------|
| XFMRs Inc | Title: HDSL TRANSFORMER | | |
| | UNLESS OTHERWISE SPECIFIED | P/N: XF1313-17HDS | REV. A |
| TOLERANCES: .xxx ±0.010 | DWN. | 廖玉坤 | Mar-30-00 |
| Dimensions in INCH | CHK. | 李清儿 | Mar-30-00 |
| SHEET 1 OF 1 | APP. | Joe Huff | Aug-17-00 |