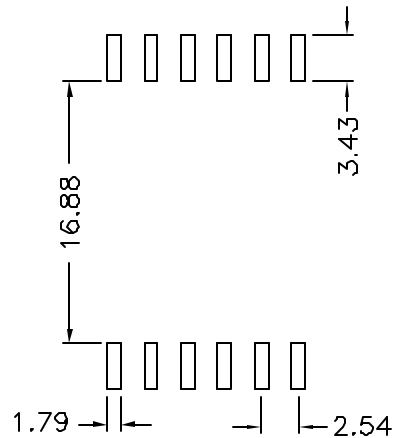
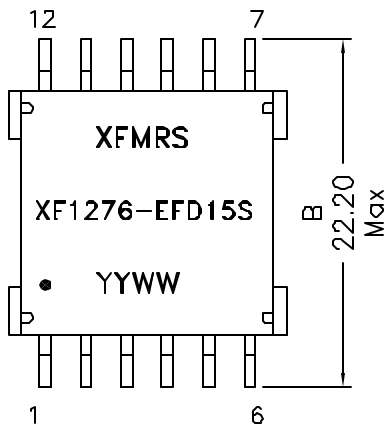
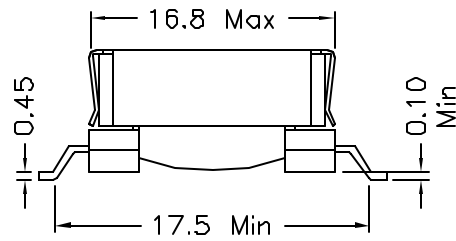
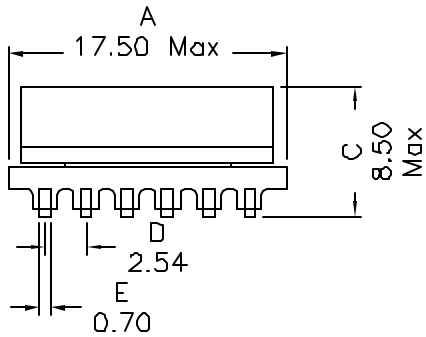


1. Mechanical Dimensions:



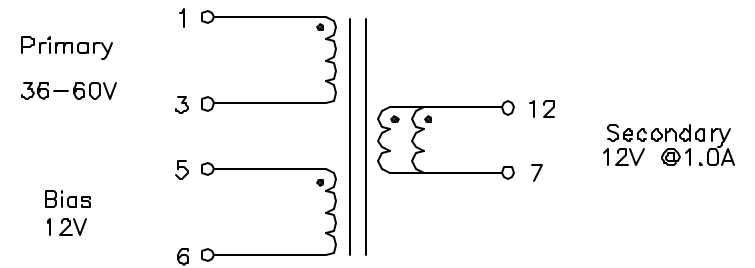
Suggested PCB Layout

Notes:

1. Solderability: Leads shall meet MIL-STD-202G, Method 208H for solderability.
2. Flammability: UL94V-0
3. ASTM oxygen Index: > 28%
4. Insulation System: Class F 155°C. UL file E151556
5. Operating Temperature Range: All listed parameters are to be within tolerance from -40°C to +85°C
6. Storage Temperature Range: -55°C to +125°C
7. Aqueous wash compatible
8. SMD Lead Coplanarity: $\pm 0.004^*(0.102\text{mm})$
9. Electrical and mechanical specifications 100% tested
10. RoHS Compliant Component

DOC REV: A/6

2. Schematic:



3. Electrical Specifications:

DCL: Pins 1-3 $127 \pm 10\%$ @250KHz, 1.0V

Pins 1-3 100uH Min @250KHz, 1.0V, 1Adc

LL: Pins 1-3 0.80uH Max @300KHz, 1.0V (Short Secs)

DCR: Pins 1-3 0.150 Ohms Max

Pins 12-7 0.080 Ohms Max

Pins 5-6 0.308 Ohms Max

Turns Ratio($\pm 3\%$): (1-3):(12-7) = 1.000:0.500

(1-3):(5-6) = 1.000:0.500

Isolation Voltage: 1500Vrms, Pri & Bias to Sec

500Vrms, Pri to Bias

XFMRs, Inc www.XFMRs.com	Title: PoE Xfmr		
UNLESS OTHERWISE SPECIFIED TOLERANCES: .xx ± 0.20 Dimensions in MM Scale 2.5:1 SHT 1 OF 1	P/N: XF1276-EFD15S		REV. A
	DWN.	Juan Mao	Sep-13-07
	CHK.	YK Liao	Sep-13-07
	APP.	Joe Huff	Sep-13-07

PROPRIETARY Document is the property of XFMRs Group & is not allowed to be duplicated without authorization.