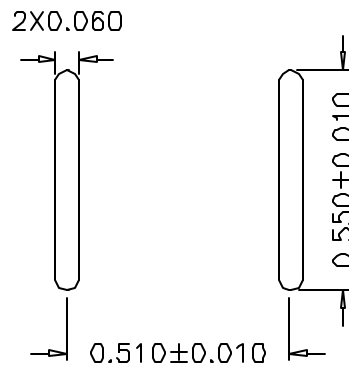
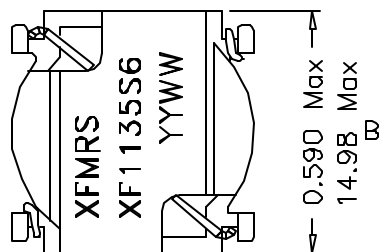
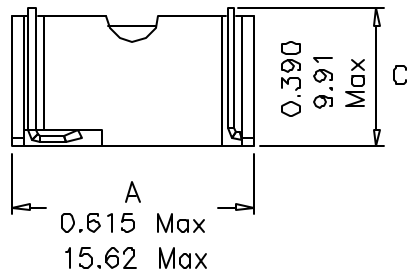
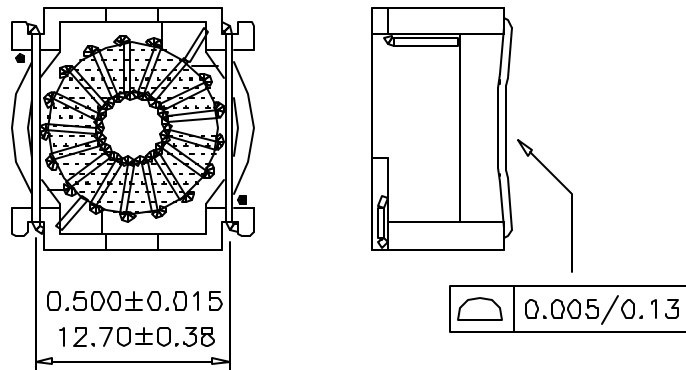


1. Mechanical Dimensions:



Suggested PCB Layout

2. Schematic:



3. Electrical Specifications: @25°C

OCL: 1134uH±15% @ 10KHz, 0.1V NO DC

OCL: 645uH ±15% @ 10KHz, 0.1V 0.74A

DC Resistance: 1.25 Ohms Max

ETop: 36.5V/uS

Notes:

1. Solderability: Leads shall meet MIL-STD-202, Method 208D for solderability.
2. Flammability: UL94V-0
3. ASTM oxygen index: > 28%
4. Insulation System: Class F 155°C. UL file E151556
5. Operating Temperature Range: All listed parameters are to be within tolerance from -40°C to +85°C
6. Storage Temperature Range: -55°C to +125°C
7. Aqueous wash compatible
8. SMD Lead Coplanarity: ±0.004"(0.102mm)
9. Moisture Sensitivity: Level 3
10. Electrical and mechanical specifications 100% tested
11. RoHS Compliant Component

DOC. REV: A/1

PROPRIETARY

Document is the property of XFMRS Group & is not allowed to be duplicated without authorization.

| | | |
|---|----------------------------------|-----------|
| XFMRS Inc www.XFMRS.com | Title: Surface Mount Inductor | |
| UNLESS OTHERWISE SPECIFIED TOLERANCES: .xxx ±0.010 Dimensions in Inch/mm | P/N: XF1135S6 | REV. A |
| | DWN. 李清儿 | Jan-25-05 |
| SHEET 1 OF 1 | CHK. 孙小松 | Jan-25-05 |
| | APP. J Ng | Jan-25-05 |