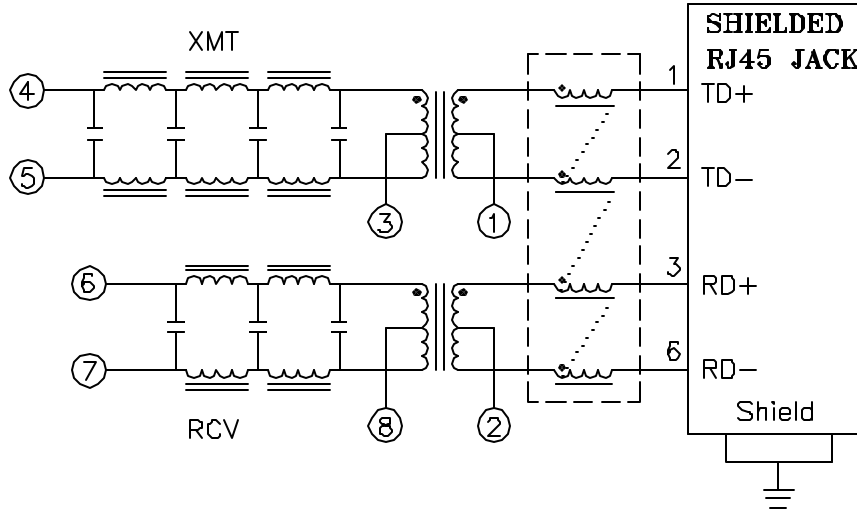


Schematic:



Electrical Specifications: @25°C

- ISOLATION: 1500 VRMS (Input to Output)
- ISOLATION: 500 VRMS (XMT to RCV)
- INSERTION LOSS (1-10MHz): -1.0dB Maximum
- ATTENUATION @30MHz:
 - TRANSMIT -30dB Minimum
 - RECEIVER -18dB Minimum
- RETURN LOSS (1-10MHz): -15dB Minimum
- CUTOFF FREQUENCY: 17MHz TYPICAL
- CROSSTALK (1-10MHz): -30dB Minimum
- I/O IMPEDANCE: 100 OHMS
- URNS RATIO:
 - TX: 1CT:1CT±5%
 - RX: 1CT:1CT±5%

Notes:

1. Solderability: Leads shall meet MIL-STD-202, Method 200D for solderability.
2. Flammability: UL94V-0
3. ASTM oxygen index: > 28%
4. Insulation System: Class F 155°C. UL file E151556
5. Operating Temperature Range: All listed parameters are to be within tolerance from -40°C to +85°C
6. Storage Temperature Range: -55°C to +125°C
7. Aqueous wash compatible
8. SMD Lead Coplanarity: ±0.004"(0.102mm)
9. Moisture Sensitivity: Level 3
10. Electrical and mechanical specifications 100% tested
11. RoHS Compliant Component

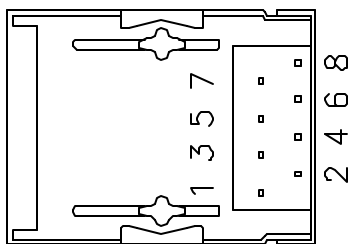
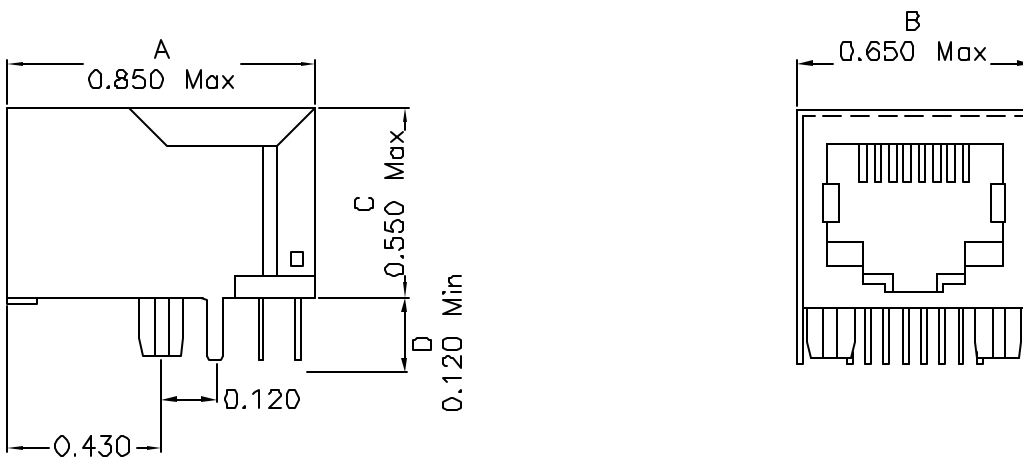
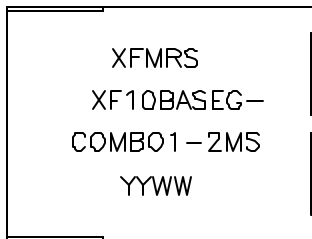
DOC. REV: A/1

XFMRs Inc. www.XFMRS.com	Title: 10 BASE-T FILTER COMBO		
	UNLESS OTHERWISE SPECIFIED TOLERANCES: .xxx ±0.010 Dimensions in INCH		P/N: XF10BASEG-COMBO1-2MS REV. A
SHEET 1 OF 2	DWN.	刘鹏	Jan-04-05
SHEET 1 OF 2	CHK.	李小锋	Jan-04-05
SHEET 1 OF 2	APP.	J Ng	Jan-04-05

PROPRIETARY:

Document is the property of XFMRs Group & is not allowed to be duplicated without authorization.

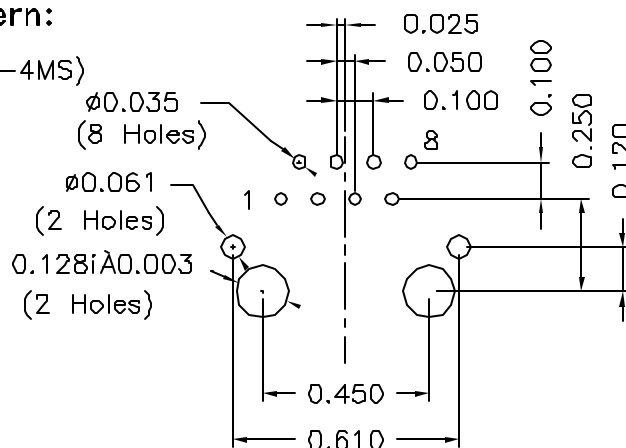
Mechanical Dimensions:



(BOTTOM VIEW)

Mounting Pattern:

(FOR COMBO1-4MS)
(COMP SIDE)



DOC. REV; A/1

XFMRs Inc.
www.XFMRS.com

Title: Mechanical Dimensions
For COMBO1-2MS Series

UNLESS OTHERWISE SPECIFIED
TOLERANCES:
.xxx ±0.010
Dimensions in Inch

P/N: XF10BASEG-COMBO1-2MS	REV. A
DWN. 刘鹏	Jan-04-05
CHK. 李小锋	Jan-04-05
APP. J Ng	Jan-04-05

PROPRIETARY:

Document is the property of XFMRs Group & is not allowed to be duplicated without authorization.

SHEET 2 OF 2