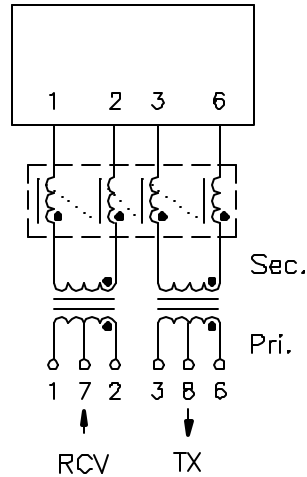


2. Schematic:



3. Electrical Specification: @25°

Isolation: 1500 Vrms (PRI to SEC)

Isolation: 500 Vrms (TX to RCV)

Turns Ratio: 1CT:2 ±2% (TX) 1CT:1 ±2% (RCV)

OCL: TX (PRI), 18uH Min @100KHz 10mV

RCV (PRI), 98uH Min @100KHz 10mV

LL: (P6-P3), 0.3uH Max @100KHz with J6 & J3 shorted

(P2-P1), 0.3uH Max @100KHz with J2 & J1 shorted

Cw/w: (P6,P3) to (J6,J3), 10pF Max @1MHz

Cw/w: (P2,P1) to (J2,J1), 10pF Max @1MHz

DCR: (J6-J3)=(J2-J1), 0.7 Ohms Max

DCR: TX (PRI), 0.35 Ohms Max

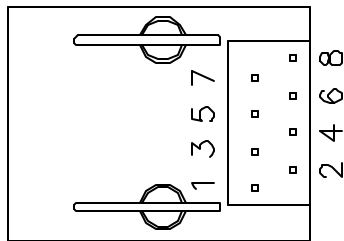
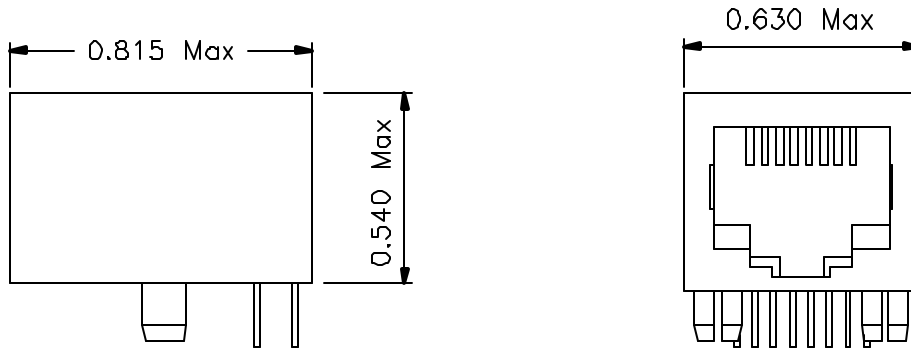
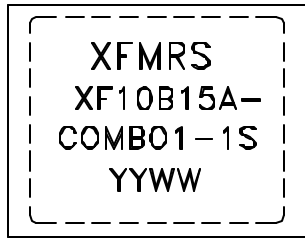
DCR: RCV (PRI), 0.35 Ohms Max

CMR CHOKE OCL: 18uH Typical @100KHz 50mV

DOC. REV: A/1

XFMRs Inc.	Title: SINGLE PORT COMBO		
	UNLESS OTHERWISE SPECIFIED	P/N: XF10B15A-COMB01-1S	REV. A
	TOLERANCES: .xxx ±0.010	DWN.	BW
	Dimensions in Inch	CHK.	JOE HUFF
SCALE 1.5:1 SHT 1 OF 1	APP.	AEI	Aug-30-00

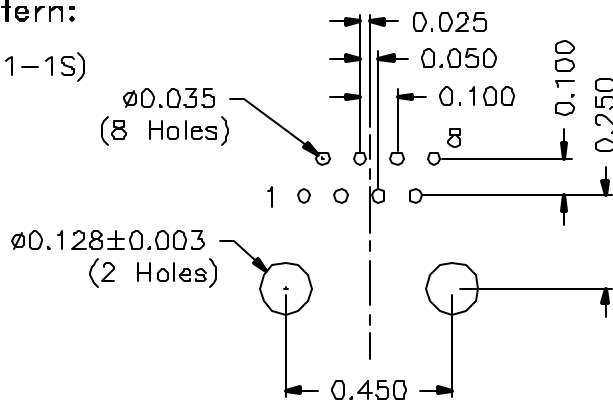
Mechanical Dimensions:



(BOTTOM VIEW)

Mounting Pattern:

(FOR COMBO1-1S)
(COMP SIDE)



XFMRS Inc.	Title: SINGLE PORT COMBO		
	UNLESS OTHERWISE SPECIFIED		P/N: XF10B15A-COMBO1-1S
TOLERANCES:	DWN.	BW	REV A
.xxx ±0.010	CHK.	JOE HUFF	Aug-30-00
Dimensions in Inch	APP.	AEI	Aug-30-00
SHEET 2 OF 2			