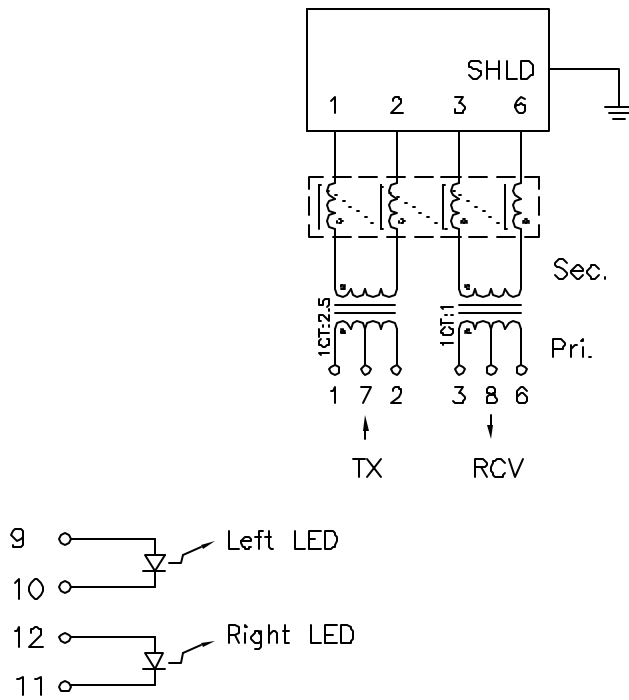


Schematic:



Electrical Specification: @25°

- Isolation: 1500 Vrms 0.5mA 2Sec (Pri to Sec)
- Isolation: 500 Vrms 0.5mA 2sec (TX to RCV)
- Turns Ratio: 1CT:2.5±2% (TX) 1CT:1±2% (RCV)
- PRI OCL: 200uH Min @100KHz 50mV (TX&RCV)
- Cw/w: 25pF Maximum @100KHz 50mV
- PRI LL: 0.40uH Maximum @100KHz 50mV (SEC Shorted)
- PRI DCR: 0.350 Ohms Maximum
- CMR CHOKE OCL: 18uH Typical @100KHz 50mV

Complete the Combo P/N as follows:

Replace 'x' & 'u' in the part number with one of the LED color letters:
 Y=Yellow
 G=Green
 A=Amber
 R=Red
 C=Green(1)/Amber(2) Bicolor
 D=Amber(1)/Green(2) Bicolor
 M=Green(1)/Yellow(2) Bicolor
 N=Yellow(1)/Green(2) Bicolor
 P=Red(1)/Green(2) Bicolor
 Q=Green(1)/Red(2) Bicolor

'x' = Left LED Color
 'u' = Right LED Color

Single Color LED: BI-Color LED:

Notes:

1. Solderability: Leads shall meet MIL-STD-202, Method 208D for solderability.
2. Flammability: UL94V-0
3. ASTM oxygen index: > 28%
4. Insulation System: Class F 155°C, UL file E151556
5. Operating Temperature Range: All listed parameters are to be within tolerance from -40°C to +85°C
6. Storage Temperature Range: -55°C to +125°C
7. Aqueous wash compatible
8. SMD Lead Coplanarity: ±0.004"(0.102mm)
9. Moisture Sensitivity: Level 2

DOC REV: A/1

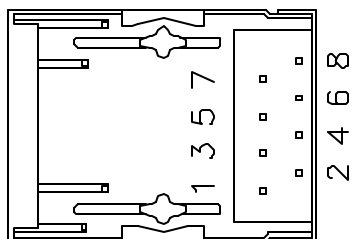
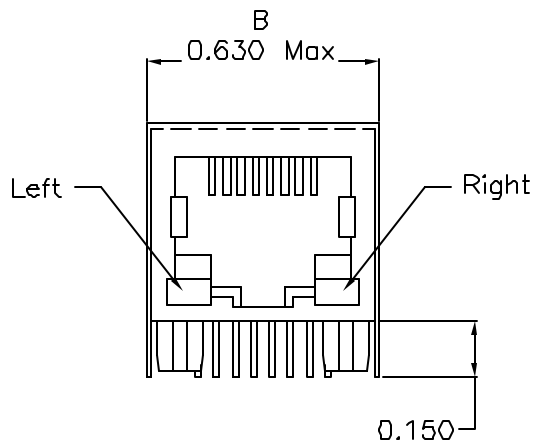
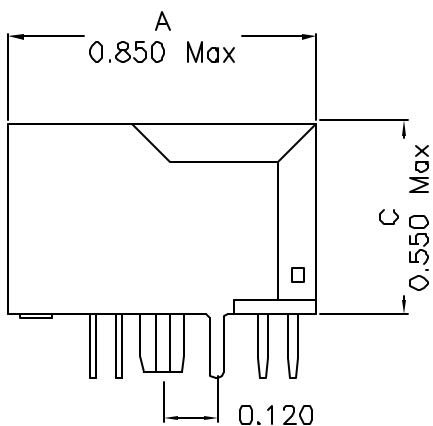
PROPRIETARY:

Document is the property of XFMRs Group & is not allowed to be duplicated without authorization.

XFMRs Inc.	Title: SINGLE PORT COMBO	
	UNLESS OTHERWISE SPECIFIED	P/N: XF10B11F-CAxu1-2MS
TOLERANCES: .xxx ±0.010	DWN.	罗振江
Dimensions in Inch	CHK.	廖玉坤
SHEET 1 OF 2	APP.	J Ng
		REV. A
		Sep-03-04
		Sep-03-04
		Sep-03-04

Mechanical Dimensions:

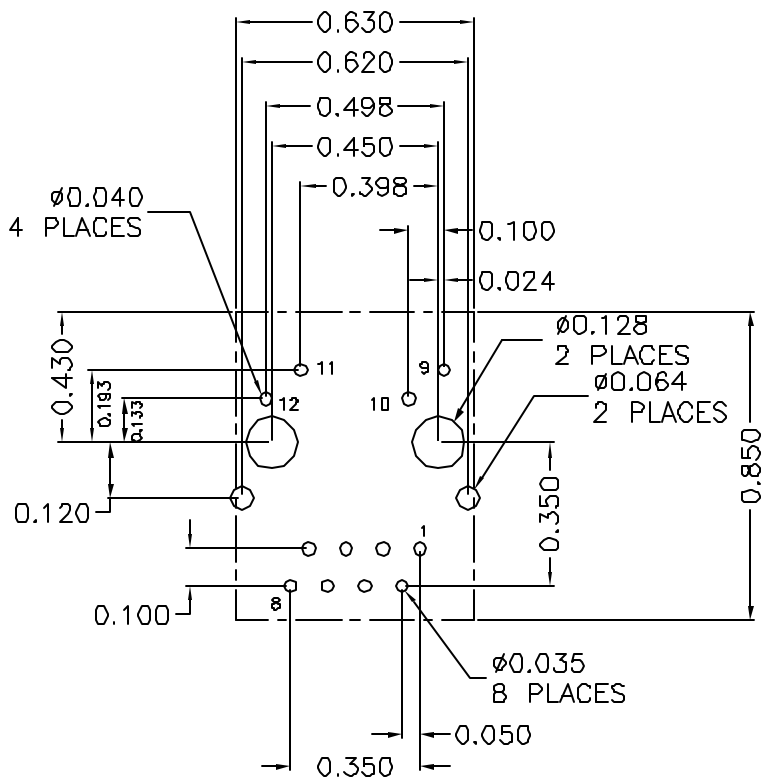
XFMR5
XF10B11F-
CAxu1-2MS
YYWW



(BOTTOM VIEW)

Mounting Pattern:

(COMP SIDE)



DOC. REV. A/1

XFMR5 Inc.	Title: Mechanical Dimensions For CAxu1-2MS Series		
	UNLESS OTHERWISE SPECIFIED TOLERANCES: .xxx ±0.010 Dimensions in Inch	P/N: XF10B11F-CAxu1-2MS	REV. A
SHEET 2 OF 2	DWN.	李小锋	Sep-03-04
	CHK.	廖玉坤	Sep-03-04
	APP.	J Ng	Sep-03-04

PROPRIETARY:

Document is the property of XFMR5 Group & is not allowed to be duplicated without authorization.