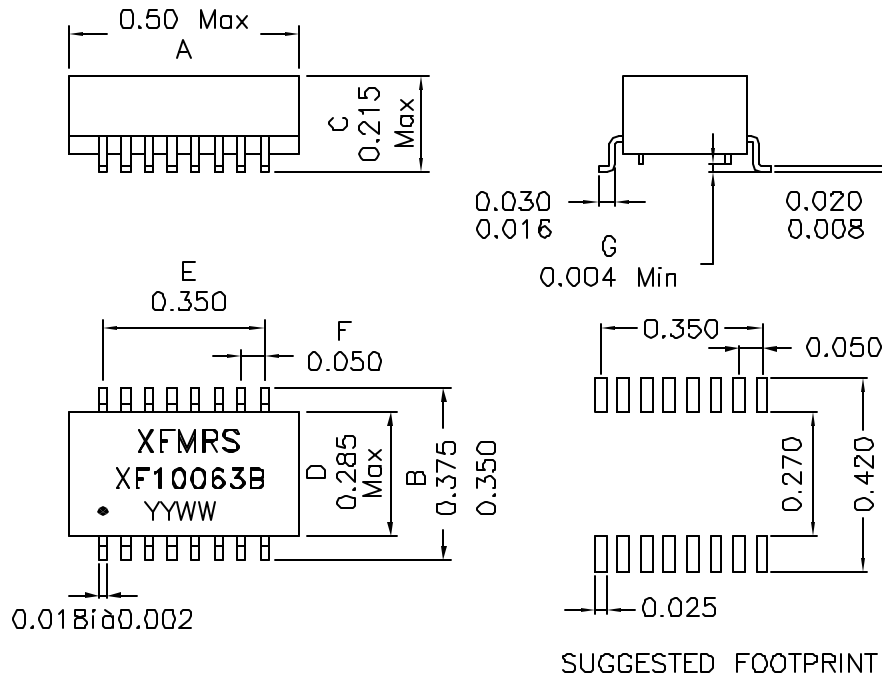
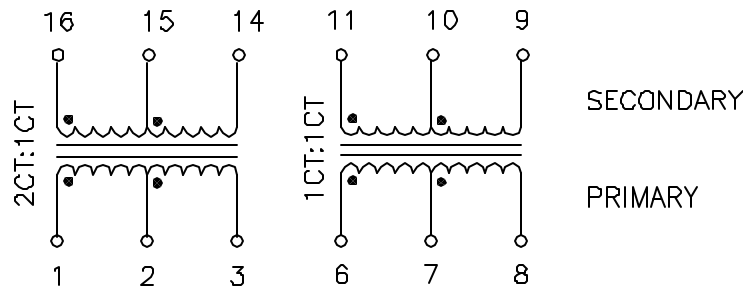


1. Dimensions:



2. Schematic:



3. Electrical Specifications: @25°C

Isolation Voltage: 1500 Vrms

Turns Ratio: P1-2-3:P16-15-14 2CT:1CT ±2%

Turns Ratio: P6-7-8:P11-10-9 1CT:1CT ±2%

PRI OCL: 100uH ±20% @100KHz 50mV

PRI/SEC Cw/w: 10pF Max. @100KHz 50mV

LL: P1-3 0.40uH Max. @100KHz 50mV P16-14 Shorted

LL: P6-8 0.20uH Max. @100KHz 50mV P11-9 Shorted

PRI/SEC DC Resistance: 0.30/0.30 Ohms Max.

ET CONS.: 2.0 V-us Min.

Notes:

1. Solderability: Leads shall meet MIL-STD-202, Method 208D for solderability.
2. Flammability: UL94V-0
3. ASTM oxygen index: > 28%
4. Temperature rating: 155°C. UL file E151556
5. Operating Temperature Range: 0°C to +70°C

DOC REV B/3

XFMRS Inc	Title: 10 BASE ISOLATION MAGNETICS	
	P/N: XF10063B	REV. B
UNLESS OTHERWISE SPECIFIED TOLERANCES: .xxx ±0.010 Dimensions in Inch	DWN. 李小锋	Mar-05-02
	CHK. 廖玉坤	Mar-05-02
SCALE 2.5:1 SHT 1 OF 1	APP. Isaiah M	Mar-05-02