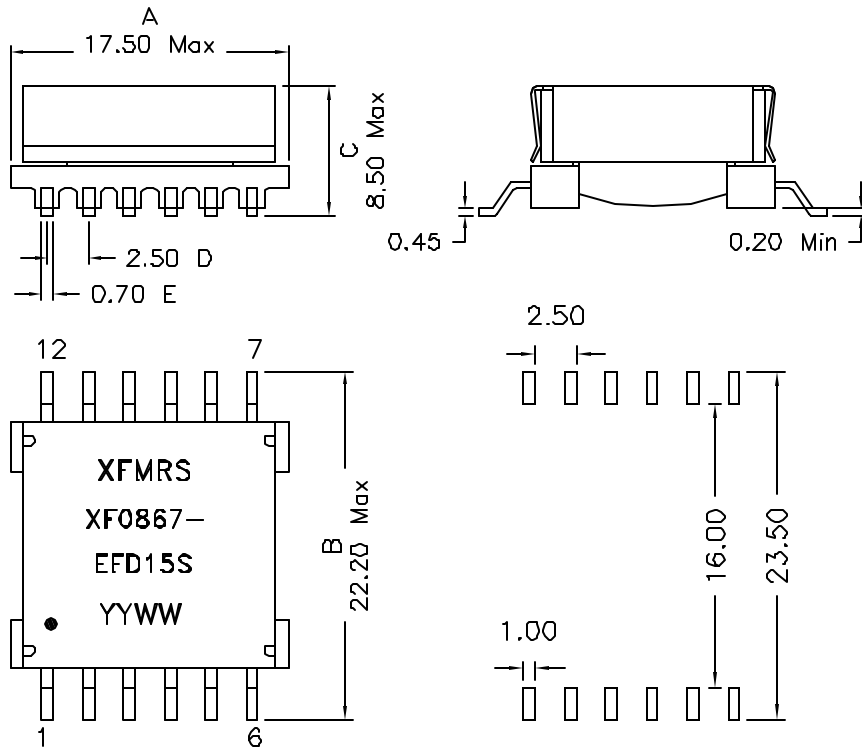
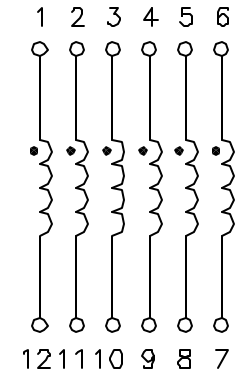


## 1. Mechanical Dimensions:



## 2. Schematic:



## 3. Electrical Specifications:

OCL:  $8.6\mu\text{H} \pm 10\%$  @100KHz 0.1V, Each Wdg  
 LL: Pins 1-12  $0.130\mu\text{H}$  Typ @100KHz 0.1V,  
 Short all else  
 DC Res: 0.075 Ohms Max, Each Wdg  
 Isat: 6.40A Max, All Wdgs in Parallel  
 Irms: 1.20A Max, Each Wdg  
 HIPOT: 500Vac, Wdg to Wdg, Wdgs to Core  
 Q: Pins 1-12 tbd Min @100Khz 0.1V

### Notes:

- Solderability: Leads shall meet MIL-STD-202, Method 208D for solderability.
- Flammability: UL94V-0
- ASTM oxygen index: > 28%
- Insulation System: Class F 155°C. UL file E151556
- Operating Temperature Range: -40°C to +85°C
- Storage Temperature Range: -55°C to +125°C

DOC. REV: A/1

<b>XFMR5 Inc</b>	Title: TRANSFORMER		
UNLESS OTHERWISE SPECIFIED TOLERANCES: .xx $\pm 0.25$ Dimensions in MM Scale 2.5:1 SHT 1 OF 1	P/N: XF0867-EFD15S	REV A	
	DWN.	李小锋	May-25-04
	CHK.	廖玉坤	May-25-04
	APP.	J Ng	May-25-04

**PROPRIETARY** Document is the property of XFMR5 Group & is not allowed to be duplicated without authorization.