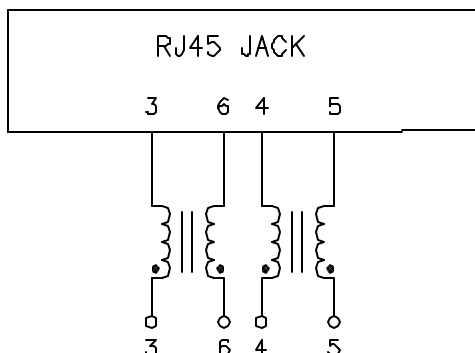


1. Schematic:



2. Electrical Specifications: @25°C

Isolation: 500 Vrms

Turns Ratio: 1:1 each

OCL: 65uH Typical @10KHz 100mV (EACH WINDING)

DC Resistance: 0.5 Ohms Maximum (EACH WINDING)

Common Mode Attenuation: @1.0MHz	8dB Typ	5 Min
	@5.0MHz	17dB Typ 15 Min
	@20MHz	23dB Typ 15 Min
	@70MHz	25dB Typ 20 Min
	@200MHz	22dB Typ 17 Min
	@500MHz	11dB Typ 6 Min

Notes:

1. Solderability: Leads shall meet MIL-STD-202, Method 208D for solderability.
2. Flammability: UL94V-0
3. ASTM oxygen index: > 28%
4. Insulation System: Class F 155°C. UL file E151556
5. Operating Temperature Range: All listed parameters are to be within tolerance from -40°C to +85°C
6. Storage Temperature Range: -55°C to +125°C
7. Aqueous wash compatible
8. SMD Lead Coplanarity: ±0.004" (0.102mm)
9. Moisture Sensitivity: Level 2
10. Electrical and mechanical specifications 100% tested
11. RoHS Compliant Component

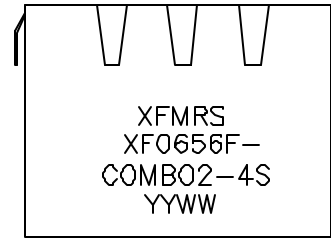
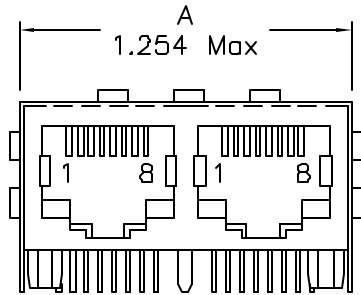
DOC. REV A/1

XFMRs Inc www.XFMRS.com	Title: COMMON MODE TWO PORT COMBO		
	UNLESS OTHERWISE SPECIFIED TOLERANCES: .xxx ±0.010	P/N: XF0656F-COMB02-4S	REV. A
Dimensions in Inch	DWN.	李清儿	Oct-18-04
SCALE 1.5:1 SHT 1 OF 2	CHK.	孙悦	Oct-18-04
	APP.	J Ng	Oct-18-04

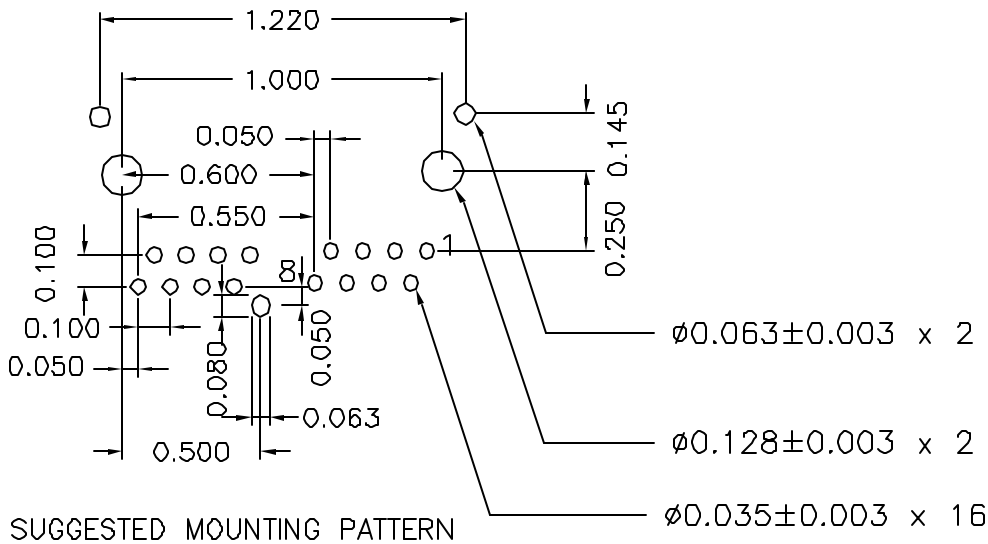
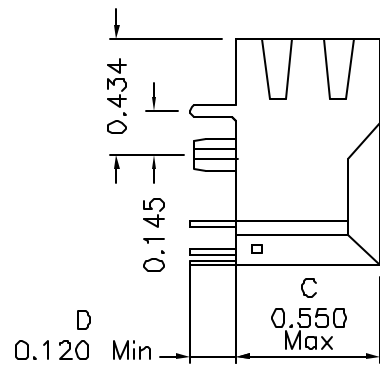
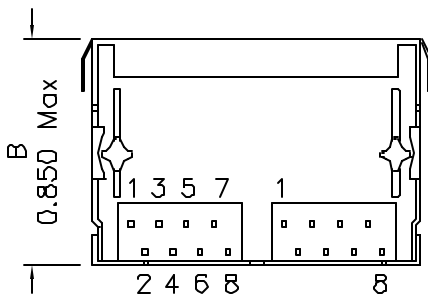
PROPRIETARY:

Document is the property of XFMRs Group & is not allowed to be duplicated without authorization.

Mechanical Dimensions: (FOR COMB02-4S)



TOP VIEW



DOC REV: A/1

XFMRS Inc www.XFMRS.com	Title: Mechanical Dimensions For COMB02-4S Series	
	P/N: XF0656F-COMB02-4S	REV. A
UNLESS OTHERWISE SPECIFIED TOLERANCES: .xxx ±0.010 Dimensions in Inch	DWN.	李小锋 Oct-18-04
	CHK.	廖玉坤 Oct-18-04
	APP.	J Ng Oct-18-04
SHEET 2 OF 2		

PROPRIETARY:

Document is the property of XFMRS Group & is not allowed to be duplicated without authorization.