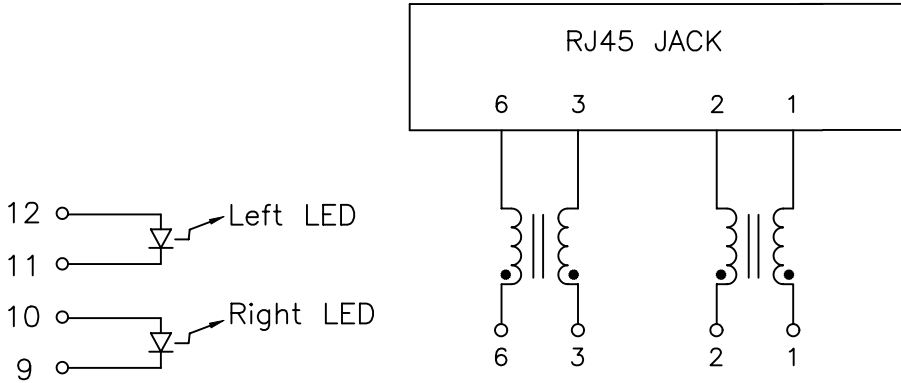


1. Schematic:



2. Electrical Specifications: @25°C

Isolation: 500 Vrms

Turns Ratio: 1:1 each

OCL: 65uH Typical @10KHz 100mV (EACH WINDING)

DC Resistance: 0.5 Ohms Maximum (EACH WINDING)

Common Mode Attenuation: @1.0MHz 8dB Typ 5 Min

@5.0MHz 17dB Typ 15 Min

@20MHz 23dB Typ 15 Min

@70MHz 25dB Typ 20 Min

@200MHz 22dB Typ 17 Min

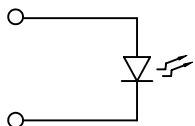
@500MHz 11dB Typ 6 Min

Complete the Combo P/N as follows:

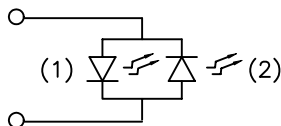
Replace 'x' & 'u' in the part number with one of the LED color letters:

- Y=Yellow 'x' = Left LED Color
- G=Green 'u' = Right LED Color
- A=Amber
- R=Red
- N=Yellow(1)/Green(2) Bicolor
- M=Green(1)/Yellow(2) Bicolor

Single Color LED:



Bi-Color LED:



DOC REV: A/4

XFMRs Inc.

Title: COMMON MODE
SINGLE PORT COMBO

UNLESS OTHERWISE SPECIFIED
TOLERANCES:
.xxx ±0.010

P/N: XF0656A-CTxu1-4M

REV. A

DWN.

刘 鹏

Feb-18-04

CHK.

李小锋

Feb-18-04

APP.

BW

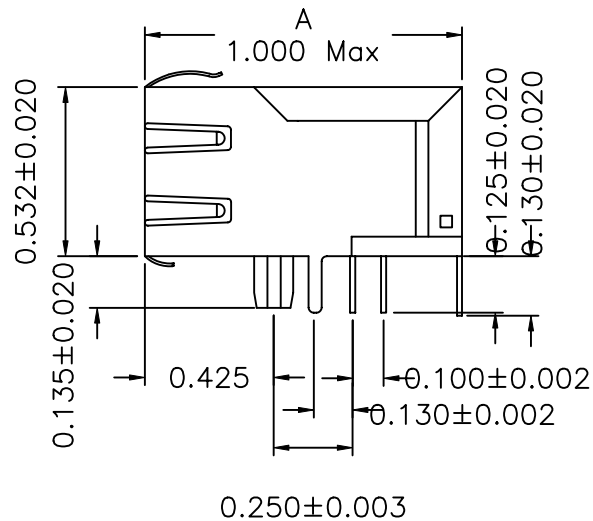
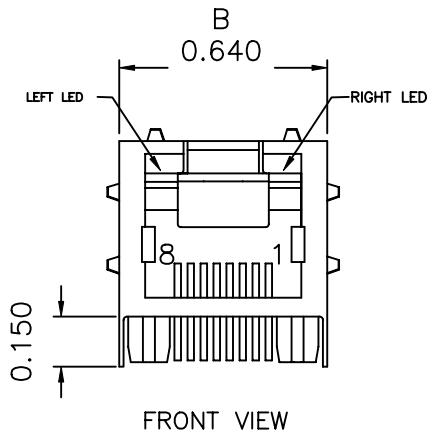
Feb-18-04

PROPRIETARY:

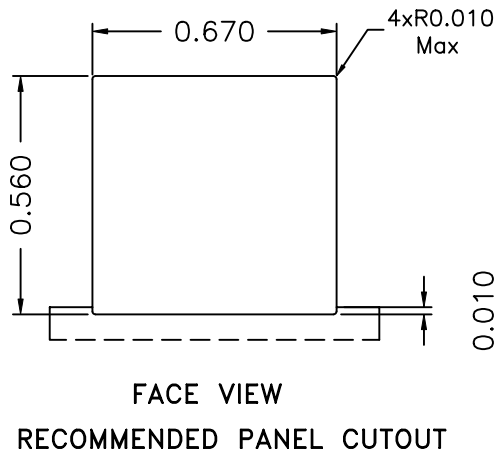
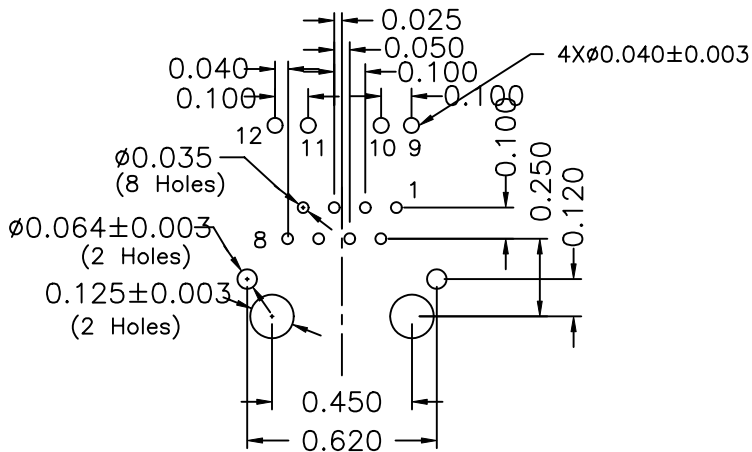
Document is the property of XFMRs Group & is not allowed to be duplicated without authorization.

Dimensions in Inch
SCALE 1.5:1 SHT 1 OF 2

3. Mechanical Dimensions:



Mounting Pattern:



DOC REV: A/4

XFMRs Inc.	Title: Mechanical Dimensions For TAB UB RJ45 COMBO		
	UNLESS OTHERWISE SPECIFIED TOLERANCES: .xxx ±0.010 Dimensions in Inch		P/N: XF0656A-CTxu1-4M REV. A
	DWN.	刘 鹏	Feb-18-04
	CHK.	李小锋	Feb-18-04
SHEET 2 OF 2	APP.	BW	Feb-18-04

PROPRIETARY:

Document is the property of XFMRs Group & is not allowed to be duplicated without authorization.