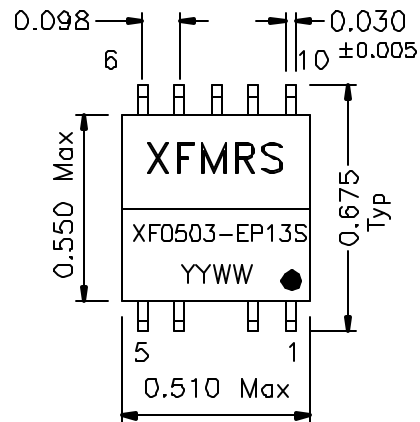
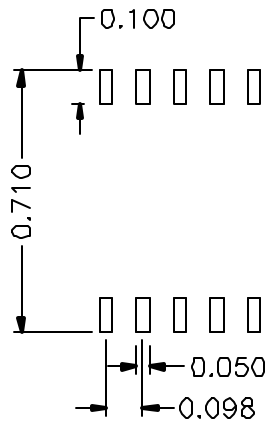


## 1. Mechanical Dimensions:



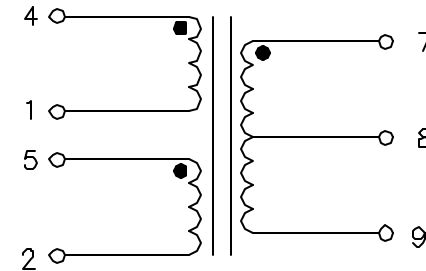
CO-PLANARITY: 0.004 Max



Suggested PCB Layout

Note: Designed to meet the requirements of UL1459.

## 2. Schematic:



## 3. Electrical Specifications:

OCL: (Pins 7-9) 50mH Min 1.0KHz, .25V OmAdc

Cw/w: (Pins 9-1or2) 24pF Max 1.0KHz, .25V

Turns Ratio: (7-9):(4-2) 1CT:1CS ±1% Tie 1-5

DC Res: (Pins 7-9) 4.50 Ohms ±15%

DC Res.: (Pins 4-1) 2.80 Ohms ±15%

DC Res.: (Pins 5-2) 2.80 Ohms ±15%

HYPOT: (Pins 9-1&2) 1000VAC

HYPOT: 1000VAC Wdgs-Core

Operating Temp.: -40 to +85°C

DOC. REV: A/1

<b>XFMRS Inc</b>	Title: TRANSFORMER		
	UNLESS OTHERWISE SPECIFIED TOLERANCES: .xxx ±0.010 Dimensions in INCH	P/N: XF0503-EP13S	REV. A
	DWN.	李清儿	Aug-24-00
	CHK.	孙悦	Aug-24-00
	APP.	Joe Huff	Aug-24-00
SHEET 1 OF 1			