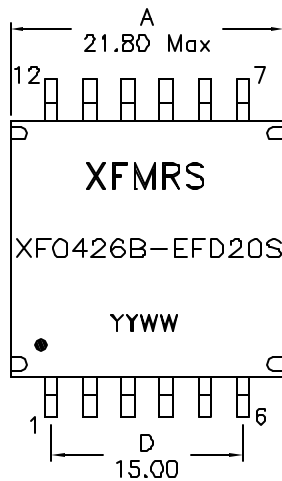
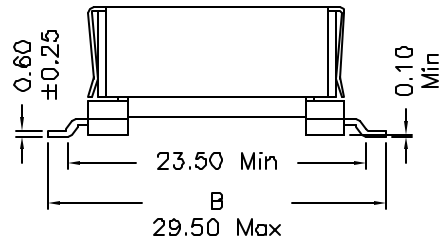
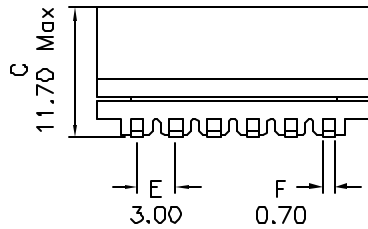
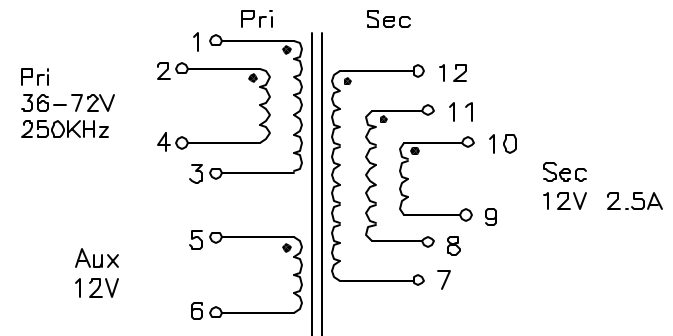


1. Mechanical Dimensions:



2. Schematic:



3. Electrical Specifications: @25°C

- OCL: Pins 1,2-4,3 42uH±10% @250KHz, 0.7V
- Q: Pins 1,2-4,3 30 Min @250KHz, 0.7V
- LL: Pins 1,2-4,3 0.545uH Max @250KHz, 0.7V, Short Secs
- DCR: Pins 1,2-4,3 0.060 Ohms Max
- Pins 5-6 0.195 Ohms Max
- Pins 12-7 0.045 Ohms Max
- Pins 11-8 0.045 Ohms Max
- Pins 10-9 0.045 Ohms Max
- Turns Ratio: (1-3):(2-4):(5-6):(12-7):(11-8):(10-9)
- = 1:1:0.333:0.333:0.333:0.333±2%
- Isolation Voltage: 1500Vrms, Pri&Aux to Sec
- Peak Primary Current: 2.6A

Notes:

1. Solderability: Leads shall meet MIL-STD-202G, Method 208H for solderability.
2. Flammability: UL94V-0
3. ASTM oxygen index: > 28%
4. Insulation System: Class F 155°C, UL file E151556
5. Operating Temperature Range: All listed parameters are to be within tolerance from -40°C to +85°C
6. Storage Temperature Range: -55°C to +125°C
7. Aqueous wash compatible
8. SMD Lead Coplanarity: ±0.004"(0.102mm)
9. Electrical and mechanical specifications 100% tested
10. RoHS Compliant Component

DOC. REV A/3

PROPRIETARY Document is the property of XFMRS Group & is not allowed to be duplicated without authorization.

XFMRS Inc www.XFMRS.com		Title: 30W POE Transformer	
UNLESS OTHERWISE SPECIFIED TOLERANCES: .xx ±0.25 Dimensions in MM	P/N: XF0426B-EFD20S	REV. A	
	DWN.	Feng	Oct-14-11
	CHK.	YK Liao	Oct-14-11
SHEET 1 OF 1	APP.	Joe Huff	Oct-14-11