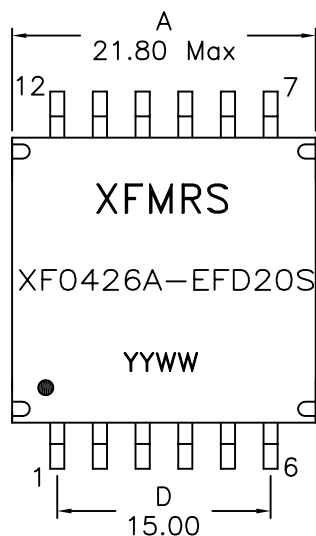
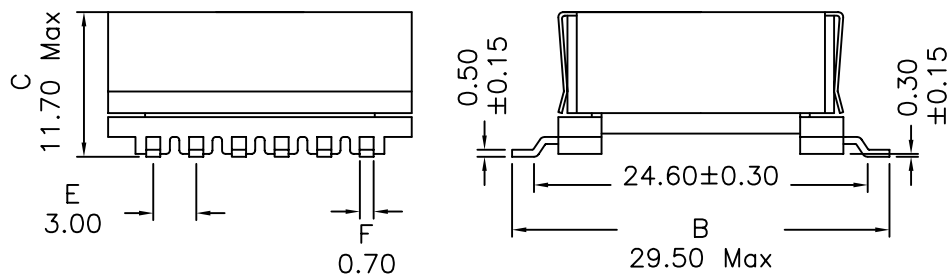


## 1. Mechanical Dimensions:

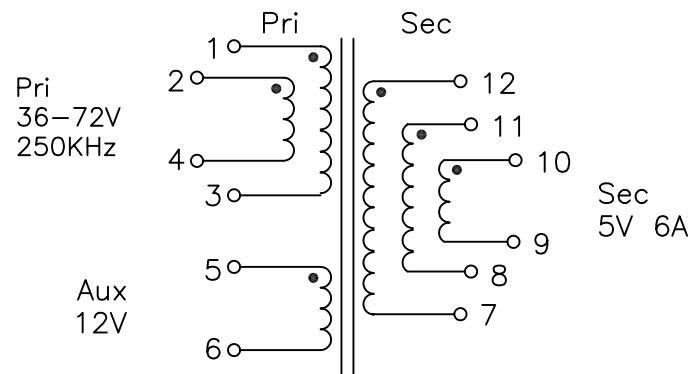


### Notes:

- Solderability: Leads shall meet MIL-STD-202G, Method 208H for solderability.
- Flammability: UL94V-0
- ASTM oxygen index: > 28%
- Insulation System: Class F 155°C. UL file E151556
- Operating Temperature Range: All listed parameters are to be within tolerance from -40°C to +85°C
- Storage Temperature Range: -55°C to +125°C
- Aqueous wash compatible
- SMD Lead Coplanarity: ±0.004" (0.102mm)
- Electrical and mechanical specifications 100% tested
- RoHS Compliant Component
- All crossover wires must be insulated with tape.

DOC. REV A/4

## 2. Schematic:



## 3. Electrical Specifications: @25°C

- OCL: Pins 1,2-4,3 42uH ± 10% @ 250KHz, 0.7V  
Pins 1,2-4,3 37.8uH Min @ 250KHz, 0.7V, 2.6Adc
- Q: Pins 1,2-4,3 30 Min @ 250KHz, 0.7V
- LL: Pins 1,2-4,3 1.60uH Max @ 250KHz, 0.7V, Short Secs
- DCR: Pins 1-3 0.120 Ohms Max  
Pins 2-4 0.120 Ohms Max  
Pins 5-6 0.225 Ohms Max  
Pins 12-7 0.150 Ohms Max  
Pins 11-8 0.150 Ohms Max  
Pins 10-9 0.150 Ohms Max
- Turns Ratio: Pins (1,2-3,4):(12,11,10-7,8,9):(5-6) =  
1.00:0.14:0.333
- Isolation Voltage: 1500Vrms, Pri&Aux to Sec
- Peak Primary Current: 2.6A

<b>XFMRs Inc</b> www.XFMRs.com		Title: 30W POE Transformer	
UNLESS OTHERWISE SPECIFIED TOLERANCES: .xx ±0.25 Dimensions in MM		P/N: XF0426A-EFD20S	REV. A
		DWN.	Xian Yi Oct-31-09
SHEET 1 OF 1		CHK.	YK Liao Oct-31-09
		APP.	BW Oct-31-09

**PROPRIETARY**

Document is the property of XFMRs Group & is not allowed to be duplicated without authorization.