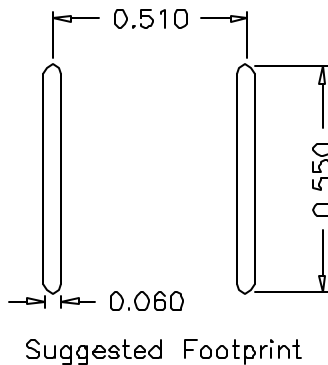
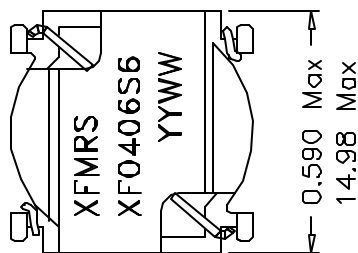
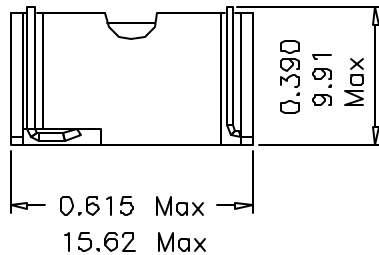
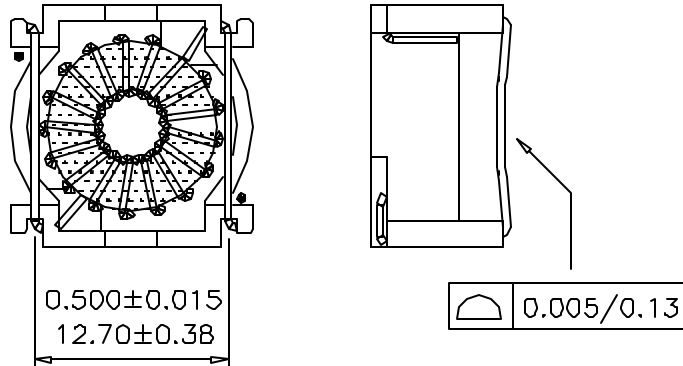


1. Mechanical:



DOC. REV: A/4

2. Schematic:



3. Electrical Specifications: @25°C

DC Resistance: 0.070 Ohms Typ
 OCL: 44uH Typ @ 10KHz, 0.1V NO DC
 OCL: 24uH Typical @ 10KHz, 0.1V 2.74Adc

Notes:

1. Solderability: Leads shall meet MIL-STD-202G, Method 208H for solderability.
2. Flammability: UL94V-0
3. ASTM oxygen Index: > 28%
4. Insulation System: Class F 155°C. UL file E151555
5. Operating Temperature Range: All listed parameters are to be within tolerance from -40°C to +85°C
6. Storage Temperature Range: -55°C to +125°C
7. Aqueous wash compatible
8. SMD Lead Coplanarity: $\pm 0.004^*(0.102\text{mm})$
9. Electrical and mechanical specifications 100% tested
10. RoHS Compliant Component

PROPRIETARY

Document is the property of XFMRS Group & is not allowed to be duplicated without authorization.

XFMRS INC www.XFMRS.com		Title: Surface Mount Inductor	
UNLESS OTHERWISE SPECIFIED TOLERANCES: .xxx ± 0.010 Dimensions in Inch/mm	P/N: XF0406S6	REV. A	
	DWN.	李清儿	Jun-18-08
	CHK.	孙小怡	Jun-18-08
SHEET 1 OF 1	APP.	BW	Apr-06-04