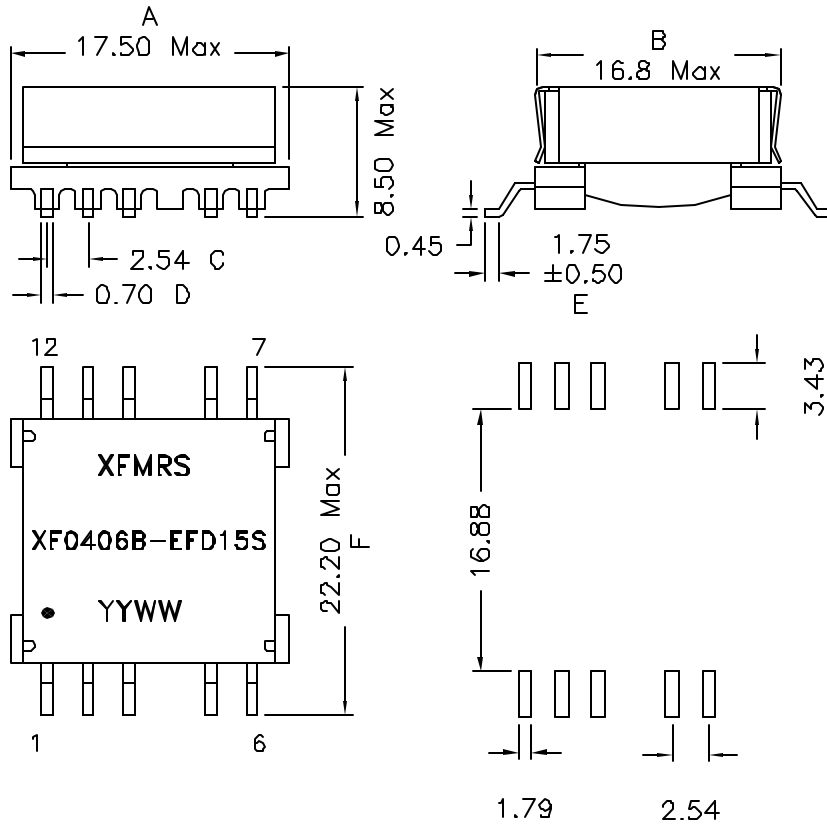


1. Mechanical Dimensions:

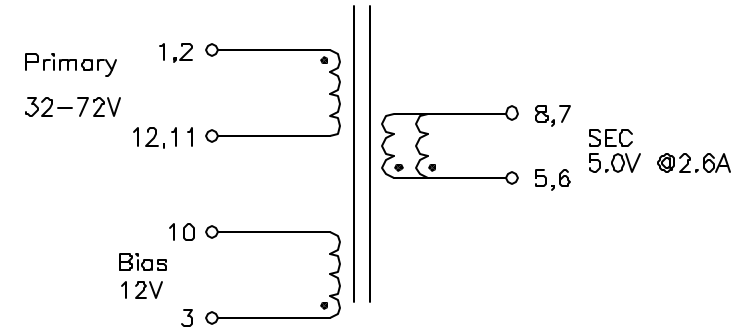


Notes:

1. Solderability: Leads shall meet MIL-STD-202G, Method 208H for solderability.
2. Flammability: UL94V-0
3. ASTM oxygen index: > 28%
4. Insulation System: Class F 155°C. UL file E151556
5. Operating Temperature Range: All listed parameters are to be within tolerance from -40°C to +125°C
6. Storage Temperature Range: -55°C to +125°C
7. Aqueous wash compatible
8. SMD Lead Coplanarity: ±0.004" (0.102mm)
9. Electrical and mechanical specifications 100% tested
10. RoHS Compliant Component

DOC REV: A/1

2. Schematic:



3. Electrical Specifications:

OCL: Pins 1,2-11,12 40uH ±10% @250KHz 0.3V
 OCL: Pins 1,2-11,12 36uH Min @250KHz 0.3V, 2.1Adc
 LL: Pins 1,2-11,12 1.9uH Max @250KHz 0.3V, Short Sec
 DCR: Pins 1,2-11,12 0.130 Ohms Max
 DCR: Pins 5,6-8,7 0.009 Ohms Max
 DCR: Pins 3-10 0.165 Ohms Max
 Turns Ratio: Pins (1,2-11,12):(5,6-8,7):(3-10)= 1:0.15:0.35
 Isolation Voltage: 1500Vrms, Pri&Bias to Sec
 500Vrms, Pri to Bias

XFMRS, Inc www.XFMRS.com	Title: TRANSFORMER		
	UNLESS OTHERWISE SPECIFIED TOLERANCES: .xx ±0.20 Dimensions in MM		P/N: XFO406B-EFD15S REV. A
Scale 2.5:1 SHT 1 OF 1	DWN.	Juan Mao	Oct-17-06
	CHK.	YK Liao	Oct-17-06
	APP.	MS	Oct-17-06

PROPRIETARY Document is the property of XFMRS Group & is not allowed to be duplicated without authorization.