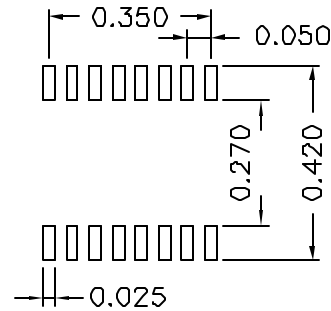
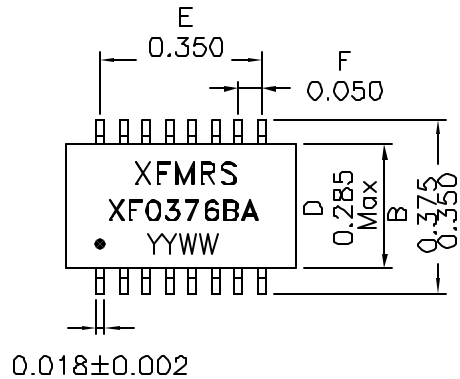
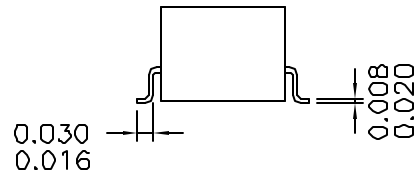
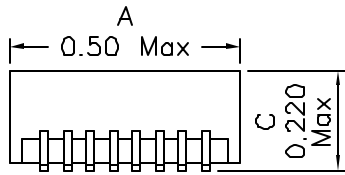


1. Dimensions:



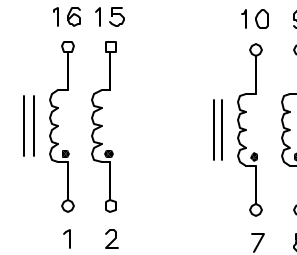
SUGGESTED FOOTPRINT

Notes:

1. Solderability: Leads shall meet MIL-STD-202G, Method 208H for solderability.
2. Flammability: UL94V-0
3. ASTM oxygen index: > 28%
4. Insulation System: Class F 155°C. UL file E151556
5. Operating Temperature Range: All listed parameters are to be within tolerance from -40°C to +85°C
6. Storage Temperature Range: -55°C to +125°C
7. Aqueous wash compatible
8. SMD Lead Coplanarity: ±0.004" (0.102mm)
9. Electrical and mechanical specifications 100% tested
10. RoHS Compliant Component

Doc Rev.: A/6

2. Schematic:



3. Electrical Specifications: @25°C

- Isolation Voltage: 500 Vrms
- Turns Ratio: 1:1
- OCL: 37uH Min @100KHz 50mV
- Cw/w: 25pF Max. @100KHz 50mV
- Leakage Inductance: 0.25uH Max. @100KHz 50mV
- DC Resistance: 0.300 Ohms Max. each wdg
- Common Mode Attenuation:

- 8dB Typ @100KHz
- 21dB Typ @1MHz
- 28dB Typ @10MHz
- 28dB Typ @30MHz
- 28dB Typ @50MHz
- 27dB Typ @100MHz
- 25dB Typ @300MHz
- 22dB Typ @500MHz

XFMR5 Inc www.XFMR5.com	Title: COMMON MODE CHOKE		
	UNLESS OTHERWISE SPECIFIED TOLERANCES: .xxx ±0.010		P/N: XF0376BA
Dimensions in Inch	DWN.	Juan Mao	Jun-08-06
SCALE 2.5:1 SHT 1 OF 1	CHK.	YK Liao	Jun-08-06
	APP.	BW	Jun-08-06