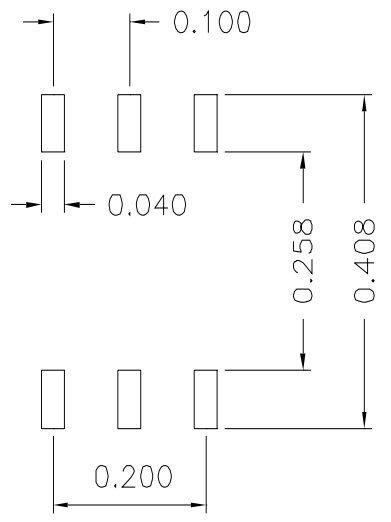
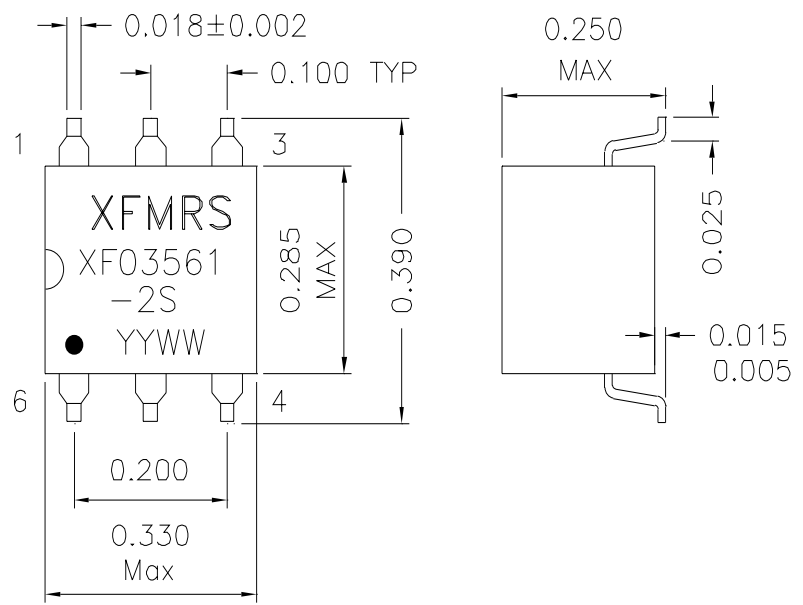
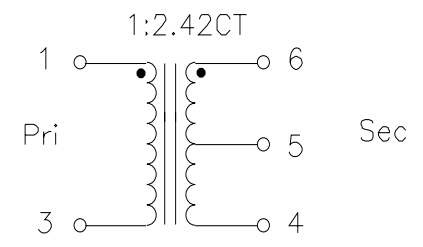


1. Dimensions:



SUGGESTED PCB LAYOUT

2. Schematic:



3. Electrical Specifications:

ISOLATION: 1500VAC

TURNS RATIO: (PIN1-3):(PIN6-5-4)=1:2.42CT ±3%

PIN1-3 OCL: 35uH Min @100KHz 100mV

PRI LL: 0.12uH Maximum @100KHz 100mV SEC SHORTED

Note: Designed to meet UL1950 specifications

XFMR5 Inc	Title: TRANSFORMERS		
	UNLESS OTHERWISE SPECIFIED TOLERANCES: .xxx ±0.010		P/N: XF03561-2S
Dimensions in INCH	REV. A	DWN. 廖玉坤	Jan-20-00
SHEET 1 OF 1	APP. Joe Huff	CHK. 李清儿	Jan-20-00

DOC. REV A/1