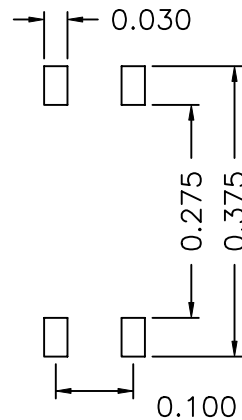
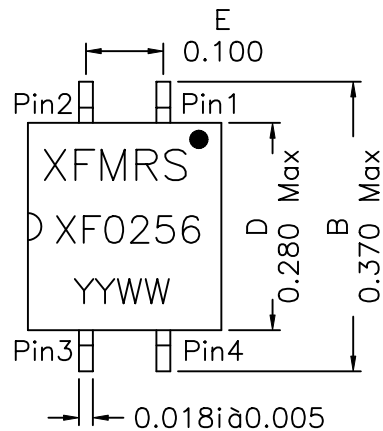
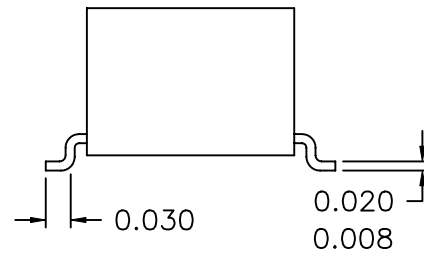
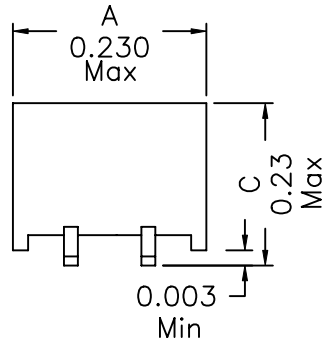
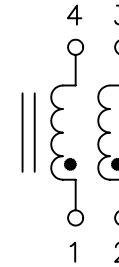


### 1. Dimensions:



### 2. Schematic:



### 3. Electrical Specifications

Rated Current: 0.5Aac

DC Res.: 0.130 Ohms, Typ Each Wdg

OCL: 25uH±30% @100KHz 0.1mA, Each Wdg

LL: Pins 1-4 1.5uH Typ @100KHz 5mA

Isolation: 500Vrms

#### Notes:

1. Solderability: Leads shall meet MIL-STD-202, Method 208D for solderability.
2. Flammability: UL94V-0
3. ASTM oxygen index: > 28%
4. Insulation System: Class F 155°C. UL file E151556
5. Operating Temperature Range: -40°C to +85°C
6. Storage Temperature Range: -55°C to +125°C
7. Aqueous wash compatible

DOC. REV: A/1

<b>XFMRS Inc</b>		Title: <b>Common Mode Choke</b>	
UNLESS OTHERWISE SPECIFIED TOLERANCES: .xxx ±0.010 Dimensions in Inch	P/N: XF0256-00SM	REV A	
	DWN.	罗振江	May-20-04
	CHK.	廖玉坤	May-20-04
Scale 2.5:1 SHT 1 OF 1	APP.	MS	May-20-04