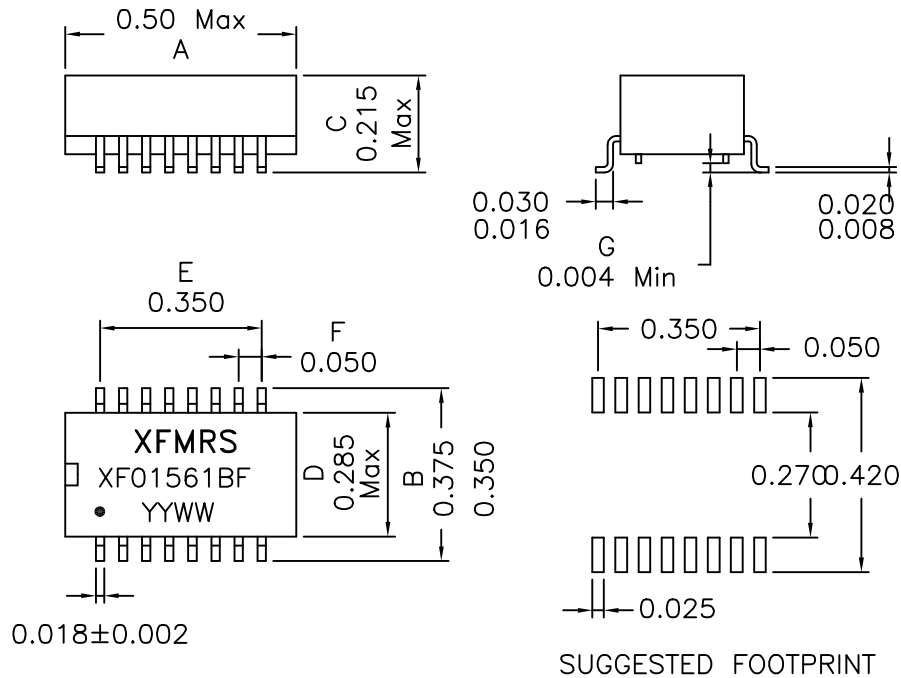
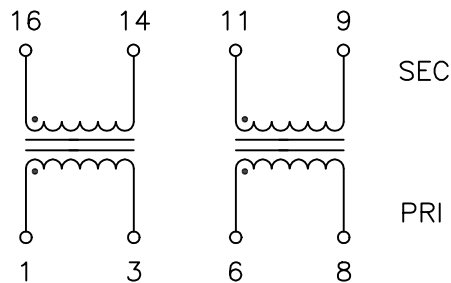


1. Dimensions:



2. Schematic:



3. Electrical Specifications: @25°C

Isolation Voltage: 1500VAC (PRI to SEC)

Turns Ratio: 1:1±5% (PRI:SEC)

PRI OCL: 15uH MIN @100KHz 50mV

Cw/w: 5.0pF MAX @100KHz 50mV (PRI/SEC)

PRI LL: 0.10uH MAX. @100KHz 50mV (SEC SHorted)

PRI DC Resistance: 0.20 Ohms MAX.

Rise Time: 0.8ns Typ

Note:

1. Solderability: Leads shall meet MIL-STD-202, Method 208D for solderability.
2. Flammability: UL94V-0,
3. ASTM oxygen index: > 28% ,
4. Temperature rating: 155°C. UL file E151556,
5. Operating Temperature Range: -40°C to +85°C

DOC. REV: A/3

THIS DOCUMENT IS STRICTLY NOT ALLOWED TO BE DUPLICATED WITHOUT AUTHORIZATION

XFMRS Inc	Title: FIBRE CHANNEL DUAL TRANSFORMERS	
	P/N: XF01561BF	REV. A
	DWN. 廖玉坤	Nov-12-01
	CHK. 李清儿	Nov-12-01
UNLESS OTHERWISE SPECIFIED TOLERANCES: .xxx ±0.010 Dimensions in Inch	APP. Isaiah M	Nov-12-01
SCALE 2.5:1 SHT 1 OF 1		