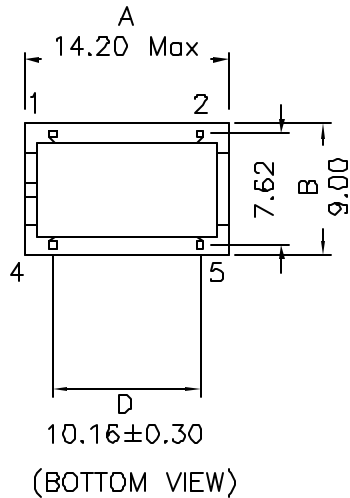
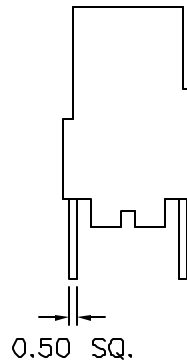
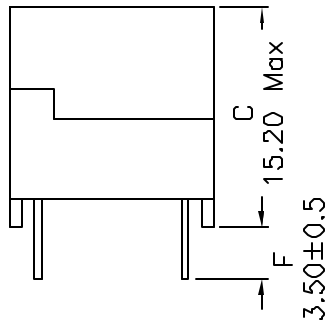
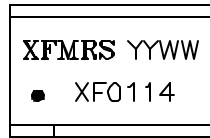
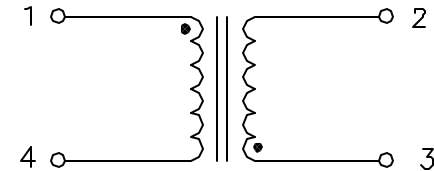


## 1. Mechanical Dimensions:



## 2. Schematic:



## 3. Electrical Specifications: @25°C

OCL: 1.1mH±30% @10KHz 0.1V, Each Wdg

LL: 7.0uH Typ @10KHz 0.1V

DCR: 0.070 Ohms Typ, Each Wdg

Irated: 2.0Arms

Isolation: 1500Vac, Wdg to Wdg, 2Sec

### Notes:

1. Solderability: Leads shall meet MIL-STD-202, Method 208B for solderability.
2. Flammability: UL94V-0
3. ASTM oxygen index: > 28%
4. Insulation System: Class F 155°C, UL file E151556
5. Operating Temperature Range: All listed parameters are to be within tolerance from -40°C to +85°C
6. Storage Temperature Range: -55°C to +125°C
7. Aqueous wash compatible
8. SMD Lead Coplanarity: ±0.004"(0.102mm)
9. Moisture Sensitivity: Level 2
10. Electrical and mechanical specifications 100% tested
11. RoHS Compliant Component

DOC. REV A/1

**PROPRIETARY** Document is the property of XFMRS Group & is not allowed to be duplicated without authorization.

<b>XFMRS Inc</b> www.XFMRS.com	Title: Common Mode Choke		
UNLESS OTHERWISE SPECIFIED TOLERANCES: .xxx ±0.25	P/N: XF0114-VPCMC3	REV. A	
	Dimensions in MM	DWN. 廖玉坤	Oct-18-04
SHEET 1 OF 1	CHK. 李清儿		Oct-18-04
	APP. J Ng		Oct-18-04