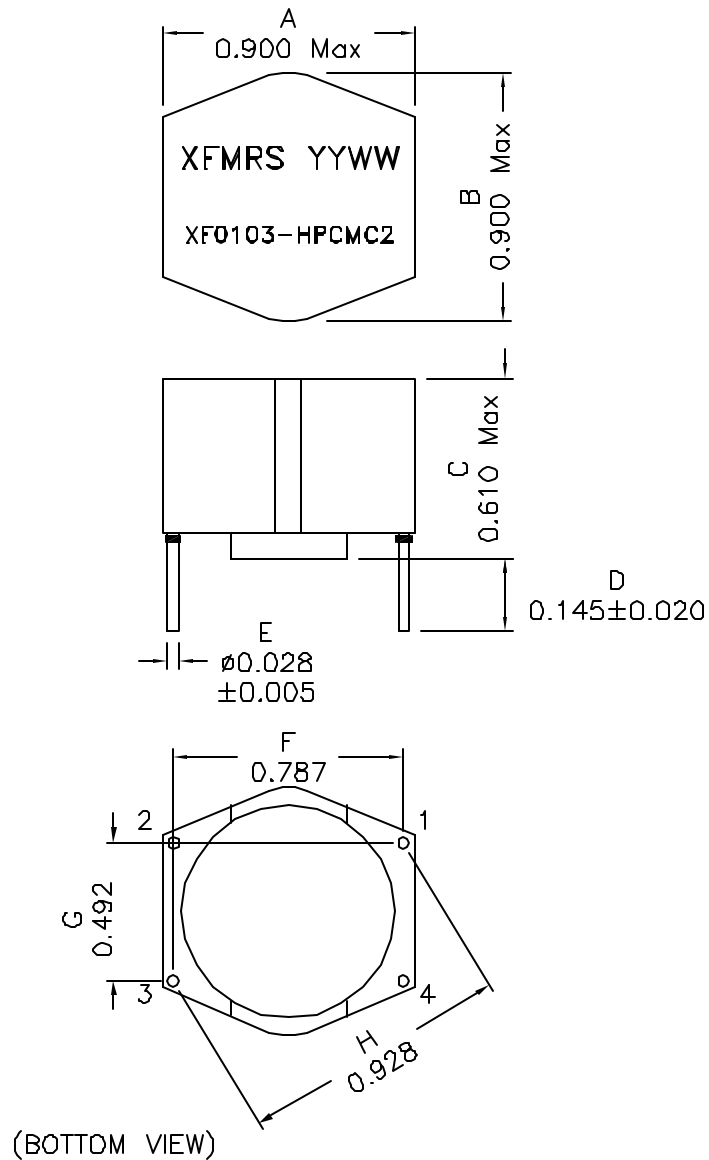
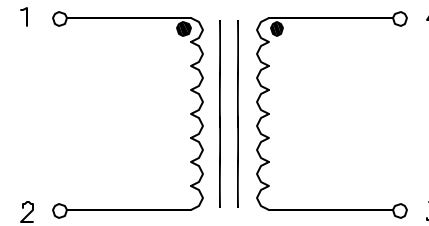


1. Mechanical Dimensions:



2. Schematic:



3. Electrical Specifications: @25°C

OCL: 10mH±30%@100KHz 0.1V, Each Wdg

DCR: 0.480 Ohms Typ, Each Wdg

LL: 140uH Typ @100KHz 0.1V, Short Opposite Wdg

Rated Current: 1Amp

Hipot: 1500Vac, Wdg to Wdg

Notes:

1. Solderability: Leads shall meet MIL-STD-202C, Method 208H for solderability.
2. Flammability: UL94V-0
3. ASTM oxygen index: > 28%
4. Insulation System: Class F 155°C. UL file E151556
5. Operating Temperature Range: All listed parameters are to be within tolerance from -40°C to +85°C
6. Storage Temperature Range: -55°C to +125°C
7. Aqueous wash compatible
8. Electrical and mechanical specifications 100% tested
9. RoHS Compliant Component

XFMRS Inc. www.XFMRS.com	Title: Common Mode Choke		
	UNLESS OTHERWISE SPECIFIED	P/N: XF0103-HPCMC2	REV. A
TOLERANCES: .xxx ±0.020	DWN.	李清儿	Oct-16-06
Dimensions in INCH	CHK.	孙怡	Oct-16-06
SHEET 1 OF 1	APP.	MS	Oct-16-06

DOC. REV A/5