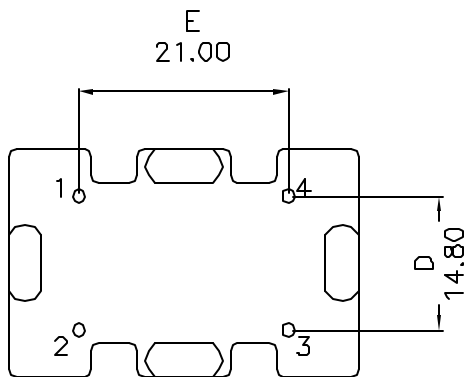
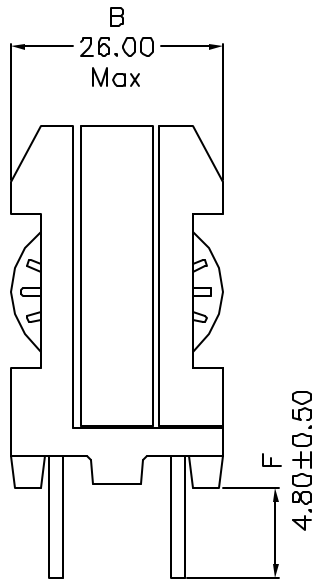
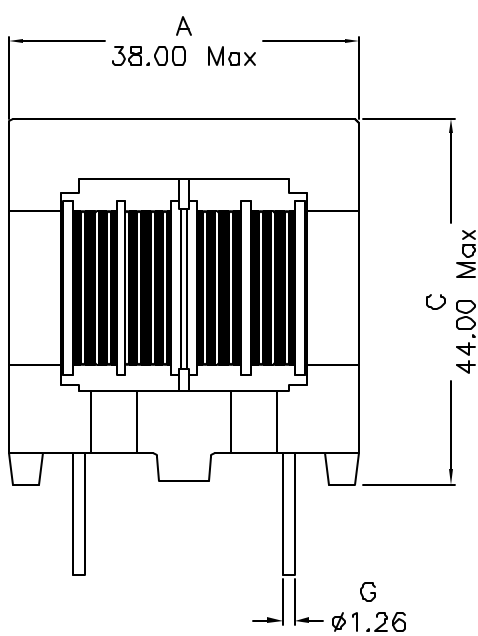
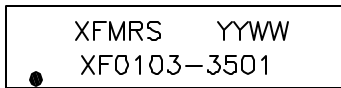


1. Mechanical Dimensions:

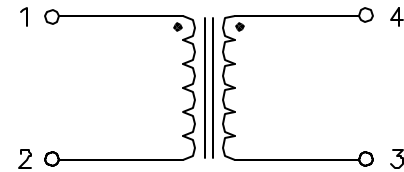


BOTTOM VIEW

Marking: (on TOP)



2. Schematic:



3. Electrical Specifications:

OCL: 10mH Min @10KHz, 0.1V Each Wdg

Q: TBD Min @10KHz, 0.1V Each Wdg

DCR: Pins 1-2 0.175 Ohms Max

DCR: Pins 4-3 0.175 Ohms Max

IDC: 2.5Arms Max

HIPOT: 2500Vac Wire to Wire

Notes:

1. Solderability: Leads shall meet MIL-STD-202, Method 208D for solderability.
2. Flammability: UL94V-0
3. ASTM oxygen index: > 28%
4. Insulation System: Class F 155°C. UL File E151556
5. Operating Temperature Range: All listed parameters are to be within tolerance from -20°C to +115°C
6. Storage Temperature Range: -55°C to +125°C
7. Aqueous wash compatible

DCO. REV. A/2

XFMRS Inc	Title: COMMON MODE CHOKE		
	UNLESS OTHERWISE SPECIFIED TOLERANCES:	P/N: XF0103-3501	REV. A
.xx ±0.25	DWN.	刘 鹏	May-06-04
Dimensions in mm	CHK.	李小锋	May-06-04
Scale 2:1 SHT 1 OF 1	APP.	Joe Huff	May-06-04

PROPRIETARY

Document is the property of XFMRS Group & is not allowed to be duplicated without authorization.