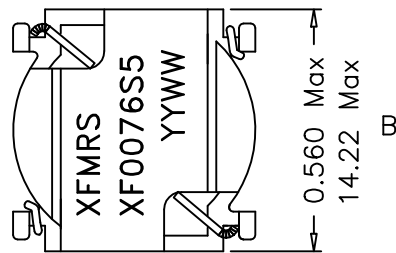
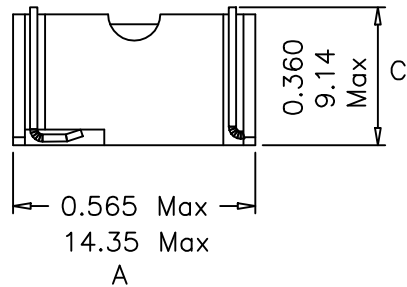
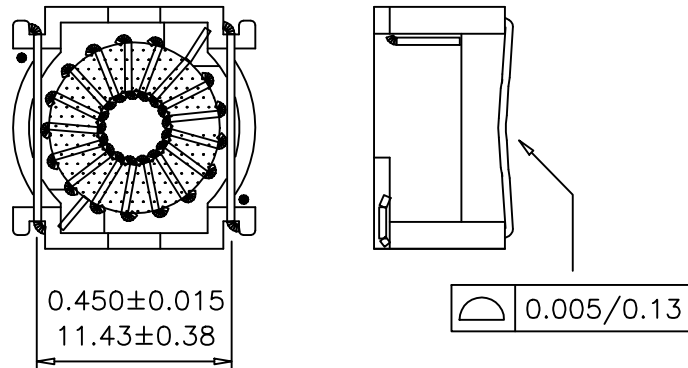


1. Mechanical Dimensions:



2. Schematic:



3. Electrical Specifications: @25°C

DC Resistance: 0.018 ohms Maximum

OCL:  $7.5\mu\text{H} \pm 20\%$  @10KHz 0.1V 0Adc

OCL: 5.1uH Min @10KHz 0.1V 5.4Adc

Notes:

1. Solderability: Leads shall meet MIL-STD-202, Method 208D for solderability.
2. Flammability: UL94V-0
3. ASTM oxygen index: > 28%
4. Temperature rating: 155°C. UL file E151556
5. Operating Temperature Range: -40°C to +85°C

DOC REV: A/2

XFMRS INC	Title: Surface Mount Inductor	
	UNLESS OTHERWISE SPECIFIED	P/N: XF0076S5
TOLERANCES: .xxx $\pm 0.010$	DWN.	李小锋 Oct-03-03
Dimensions in Inch/mm	CHK.	廖玉坤 Oct-03-03
SHEET 1 OF 1	APP.	Isaiah M Oct-03-03