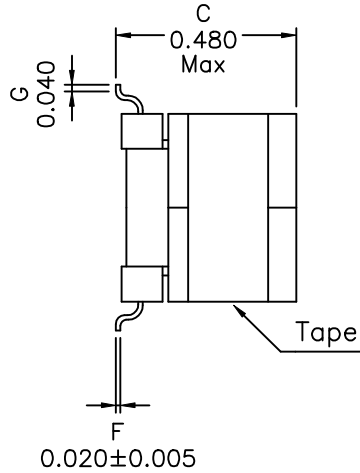
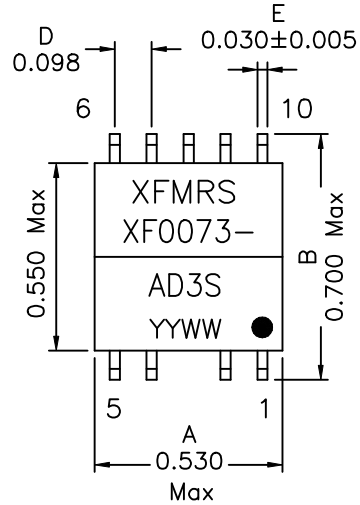
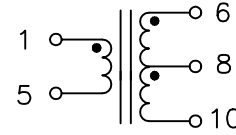


1. Dimensions:

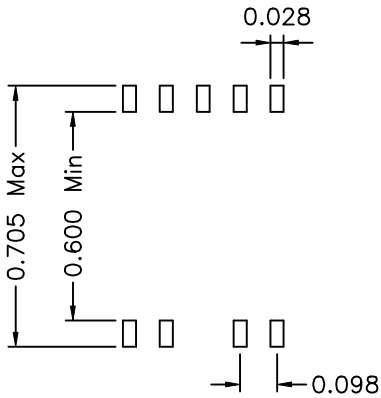


2. Schematic:



3. Electrical Specifications: @25°C

- Turns Ratio: (P1-5):(P6-10) = 1:1 ± 1%
- OCL: Pins 1-5 7.0mH ± 4% @ 10KHz 0.1V 0Adc
- OCL: Pins 1-10 22mH Min @ 10KHz 0.1V 100Adc (tie 5-6) @ 25°C
- OCL: Pins 1-10 22mH Min @ 10KHz 0.1V 80Adc (tie 5-6) @ -40 to +85°C
- Leakage L: Pins 1-5 45uH Max @ 100KHz, 0.1V (short 6-10)
- Cw/w: Pins 1-6 150pF Max @ 100KHz, 0.1V
- DC Res.: Pins 1-5 6.5 Ohms Max
- DC Res.: Pins 6-10 6.5 Ohms Max
- HIPOT: 1000VAC Wdg to Wdg & Wdgs to Core, 1 Second



Suggested PCB Layout

Notes:

1. Solderability: Leads shall meet MIL-STD-202, Method 208D for solderability.
2. Flammability: UL94V-0
3. ASTM oxygen index: > 28%
4. Insulation System: Class F 155°C. UL file E151556
5. Operating Temperature Range: -40°C to +85°C
6. Storage Temperature Range: -55°C to +125°C
7. Aqueous wash compatible

DOC. REV A/1

XFMRS Inc	Title: TRANSFORMER		
	UNLESS OTHERWISE SPECIFIED	P/N: XF0073-AD3S	REV. A
TOLERANCES: .xxx ± 0.010	DWN.	廖玉坤	Feb-29-00
Dimensions in INCH	CHK.	李清儿	Feb-29-00
SHEET 1 OF 1	APP.	Joe Huff	Feb-29-00