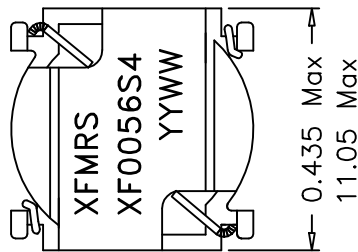
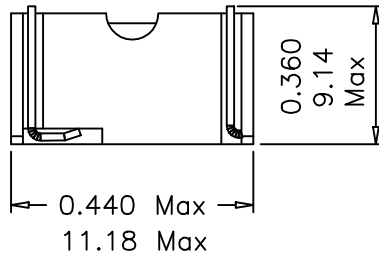
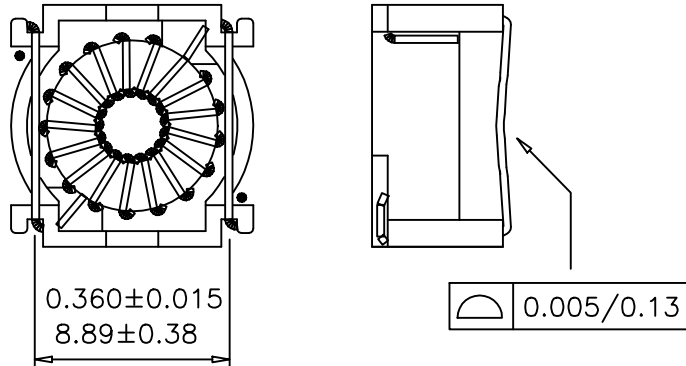
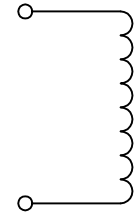


1. Mechanical:



2. Schematic:



3. Electrical Specifications: @25°C

DC Resistance: 0.0173 Ohms Max
 OCL: 5.2uH±20% @1KHz 1.0V
 Rated Current: 4.8Adc
 OCL: 3.8uH±20% @1KHz 1.0V 4.8Adc
 ET: 1.76 V-uS

Notes:

- Solderability: Leads shall meet MIL-STD-202, Method 208D for solderability.
- Flammability: UL94V-0
- ASTM oxygen index: > 28%
- Insulation System: Class F 155°C. UL file E151556
- Operating Temperature Range: All listed parameters are to be within tolerance from -40°C to +85°C
- Storage Temperature Range: -55°C to +125°C
- Aqueous wash compatible

DOC. REV: A/1

XFMRS INC	Title: Surface Mount Inductor		
	UNLESS OTHERWISE SPECIFIED	P/N: XFO056S4	REV. A
TOLERANCES:	DWN.	李清儿	Mar-19-99
.xxx ±0.010	CHK.	孙小悦	Mar-19-99
Dimensions in Inch/mm	APP.	BW	Mar-19-99
SHEET 1 OF 1			