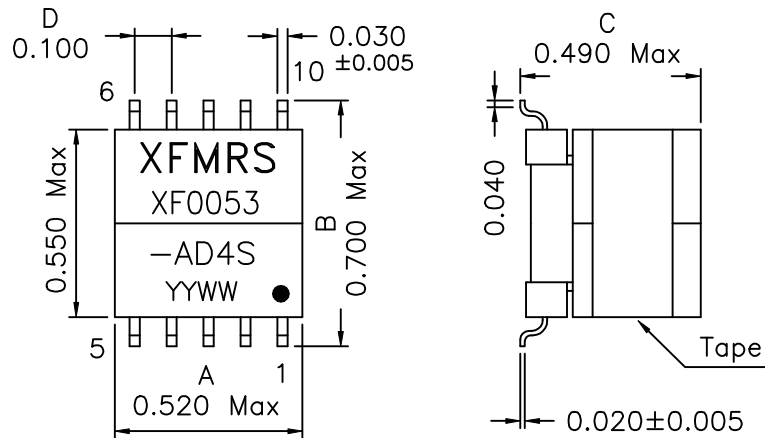
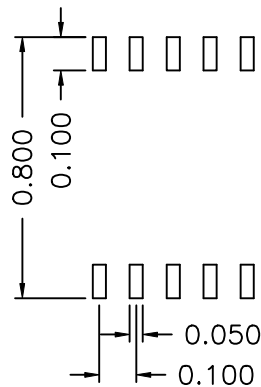


1. Mechanical Dimensions:



COPLANARITY: 0.004 Max

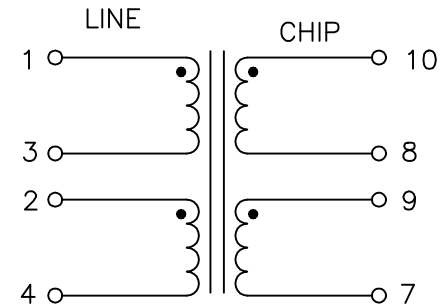


Suggested PCB Layout

UL1950 approved for the requirements of Supplementary Insulation with 300 working volts. UL file #E165866

DOC. REV: A/3

2. Schematic:



3. Electrical Specifications:

Turns Ratio: 1-4:10-7 1:1 Tie P2-3,8-9
 Isolation Voltage: 2000Vrms (CHIP to LINE)
 OCL: P1-4 5.0mH±10% 10KHz 0.1V Tie P2-3
 LL: 1-4 16.0uH Max 100KHz 0.1V
 Tie P2-3, Short P8-9-10-7
 CW/W: P1-10 50pF Max @10KHz 1.0V Tie P2-3, P8-9
 DC Res.: P10-8 1.10 Ohms ±15%
 P9-7 1.50 Ohms ±15%
 P1-3, P2-4 1.29 Ohms ±15%
 THD: -85dB Max @30KHz, 1-4(tie 2+3)
 -80dB Max @130KHz, 1-4(tie 2+3)
 Return Loss: 10dB Min, 25K-1.1MHz
 Freq. Resp.: ±2dB, 40K-200KHz
 Insertion Loss: 1dB Max, 100KHz
 Frequency Response: ±1.25dB Max, 100KHz
 Longitudinal Balance: 40dB Min, 30KHz -1.1MHz

XFMRS Inc	Title: ADSL LINE DRIVER XFMR		
	UNLESS OTHERWISE SPECIFIED	P/N: XF0053-AD4S	REV. A
TOLERANCES: .xxx ±0.010	DWN.	廖玉坤	Jul-04-00
Dimensions in INCH	CHK.	李清儿	Jul-04-00
Scale 1.5:1 SHT 1 OF 2	APP.	Joe Huff	Jul-04-00