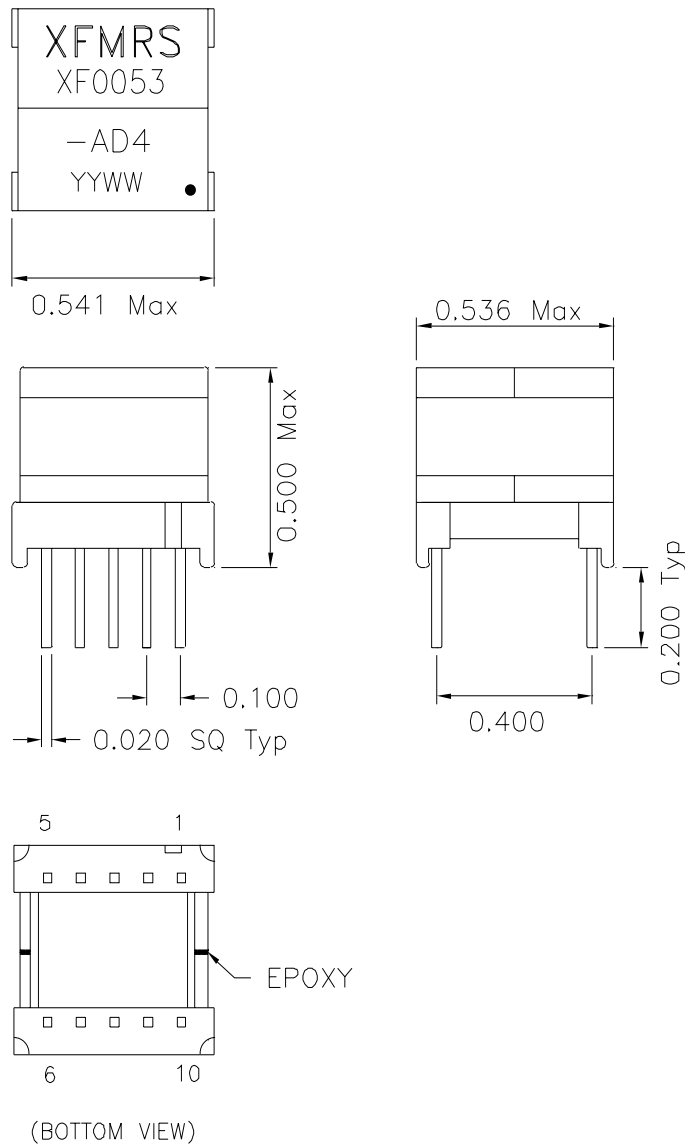


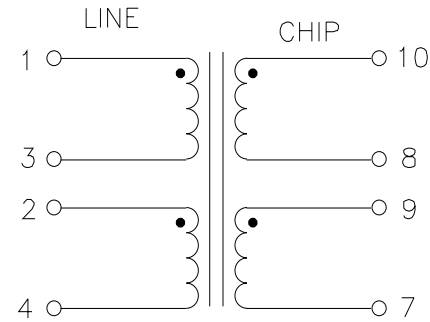
### 1. Mechanical Dimensions:



Note: Designed to meet UL1950 for supplementary insulation, 250 working volts.

DOC. REV: B/1

### 2. Schematic:



### 3. Electrical Specifications:

Turns Ratio: 1-4:10-7 1:1 Tie P2-3,8-9

Isolation Voltage: 2500VAC (CHIP to LINE)

OCL: P1-4 5.0mH±10% 10KHz 0.1V Tie P2-3

LL: 1-4 16uH Max 100KHz 0.1V

Tie P2-3, Short P8-9-10-7

Cw/w: 1-10 50pF Max 100KHz, 0.1V (tie 2-3 & 8-9)

DC Res.: 10-8 1.10 Ohms±15%

9-7 1.50 Ohms ±15%

1-3, 2-4 1.30 Ohms±15% each

LOAD: 100 Ohms

THD: -80dB @30KHz

-60dB @300KHz

Long. Bal.: 40dB Min @1KHz-1.1MHz

Insertion Loss: 0.5dB Max @100KHz

Freq. Resp.: ±1dB @30KHz-1.1MHz

<b>XFMRS Inc</b>	Title: ADSL LINE DRIVER XFMR	
	P/N: XF0053-AD4	REV. B
UNLESS OTHERWISE SPECIFIED TOLERANCES: .xxx ±0.010 Dimensions in INCH	DWN. 李清儿	Aug-10-99
	CHK. 孙悦	Aug-10-99
Scale 1.5:1 SHT 1 OF 1	APP. Joe Huff	Aug-10-99