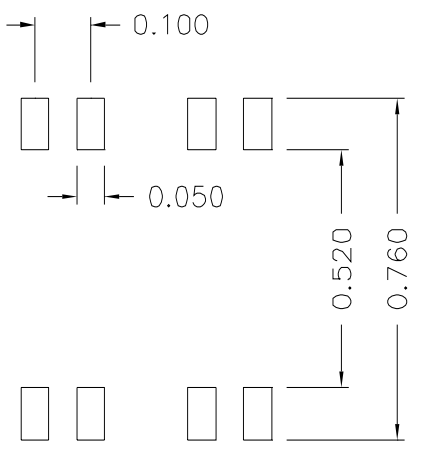
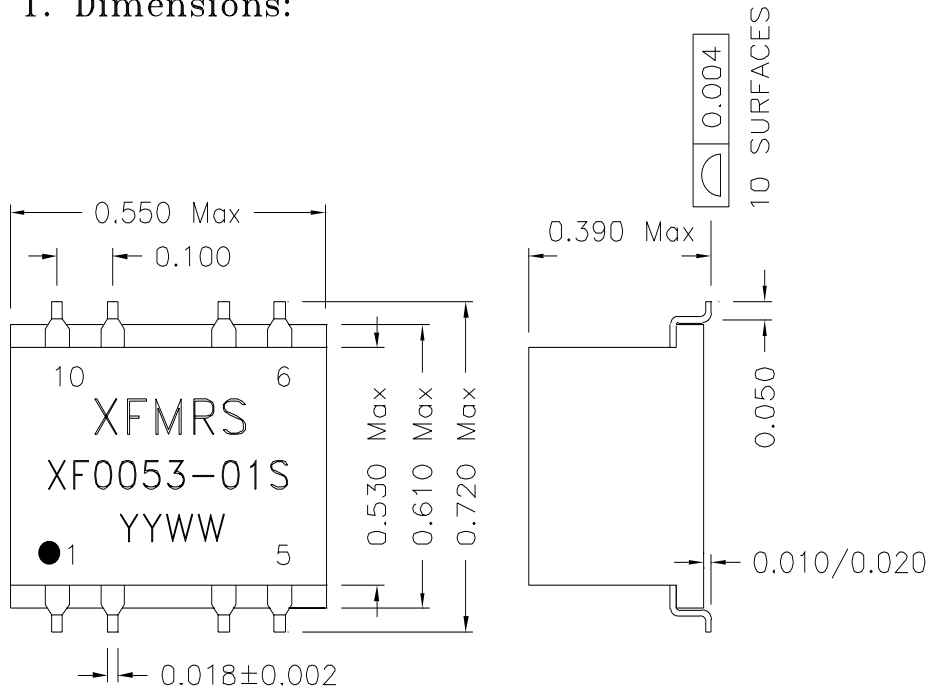
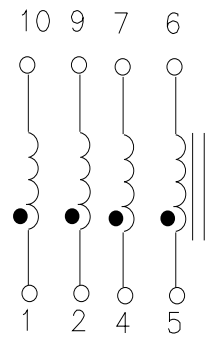


1. Dimensions:



SUGGESTED FOOTPRINT

2. Schematic:



3. Electrical Specifications: @25°C

Isolation Voltage: 500Vrms

OCL: P1-10 4.70mH ±30% @10KHz 100mV

LL: P1-10 1.0uH Max @100KHz 100mV others shorted

CW/W: 60pF Max @100KHz 100mV

DCR: 1.20 Ohms Max each winding

DOC. REV A/1

XFMRs Inc UNLESS OTHERWISE SPECIFIED TOLERANCES: .xxx ±0.010 Dimensions in Inch SCALE 2:1 SHT 1 OF 1	Title: ISDN S-INTERFACE TRANSFORMERS	
	P/N: XF0053-01S	REV. A
	DWN. 廖玉坤	May-11-00
	CHK. 李清儿	May-11-00
APP. Joe Huff	May-11-00	